



### Application

Testing of pressure gauges, measurement of pressures with high accuracy, e.g. in laboratories  
Pressure ranges 0 – 2.5 MPa for gaseous media  
Pressure ranges 0 – 4 MPa and above for liquid media

### Nominal Case Sizes (NCS)

250 mm (10")

### Accuracy

± 0.15 or ± 0.25 % (indication accuracy ± 0.15 resp. ± 0.25% of full scale value)  
Accuracy according to MI 2102-90 (Russian standard)\*

### Pressure Ranges

0 – 0.1 MPa up to 0 – 60 MPa  
-0.1 / 0 MPa

### Application Fields

At steady load: full scale value  
At dynamic load: 0.9 x full scale value

### Temperature Resistance

Ambient temperature: -25 to +60 °C (-13 °F to 140 °F)  
Medium temperature: max. +60 °C (+140 °F)

### Temperature Caused Error

Application at reference temperature of 20 ± 2 °C according to MI 2102-90  
The additional error per 10K deviation from the reference temperature +20 °C (+68 °F) is not more than 0.4% of the measuring span

### Standard Version

#### Connection

Bottom  
M20 x 1.5 optional G ½ B

#### Wetted Parts

Model -1: connection: = brass  
Bourdon tube: = CuBe

#### Movement

Brass / German silver with eccentric adjustment through the dial

#### Dial

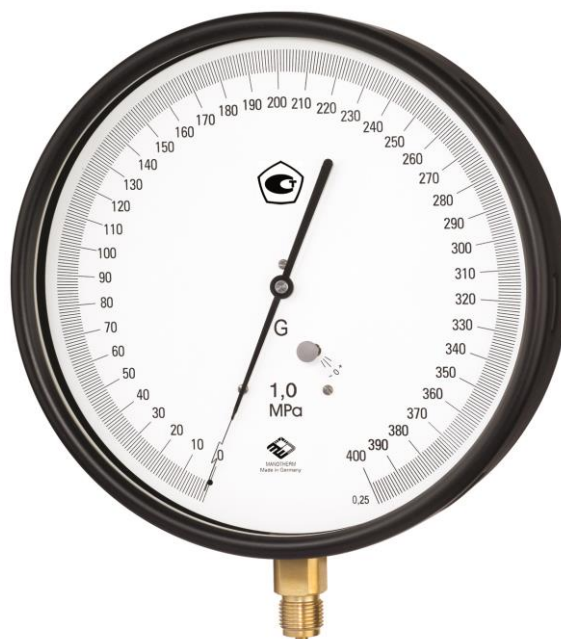
Aluminum, black figures, white background stylized scale  
400 marks on 315°

#### Pointer

Anti-parallax pointer, aluminum black

#### Case

With bayonet ring, coated steel



**Case Protection Type (EN 60529 / IEC 529)**  
IP 54

#### Window

Instrument glass with adjusting bore (closed by plug)

### Ordering Information (Model Construction):

Please state in your order:

Basic model:	MO 250
Nominal case size:	250
Accuracy:	0.25 % 0.15 %
Pressure range:	e.g. 0 – 1 MPa
Connection thread:	M20x1.5

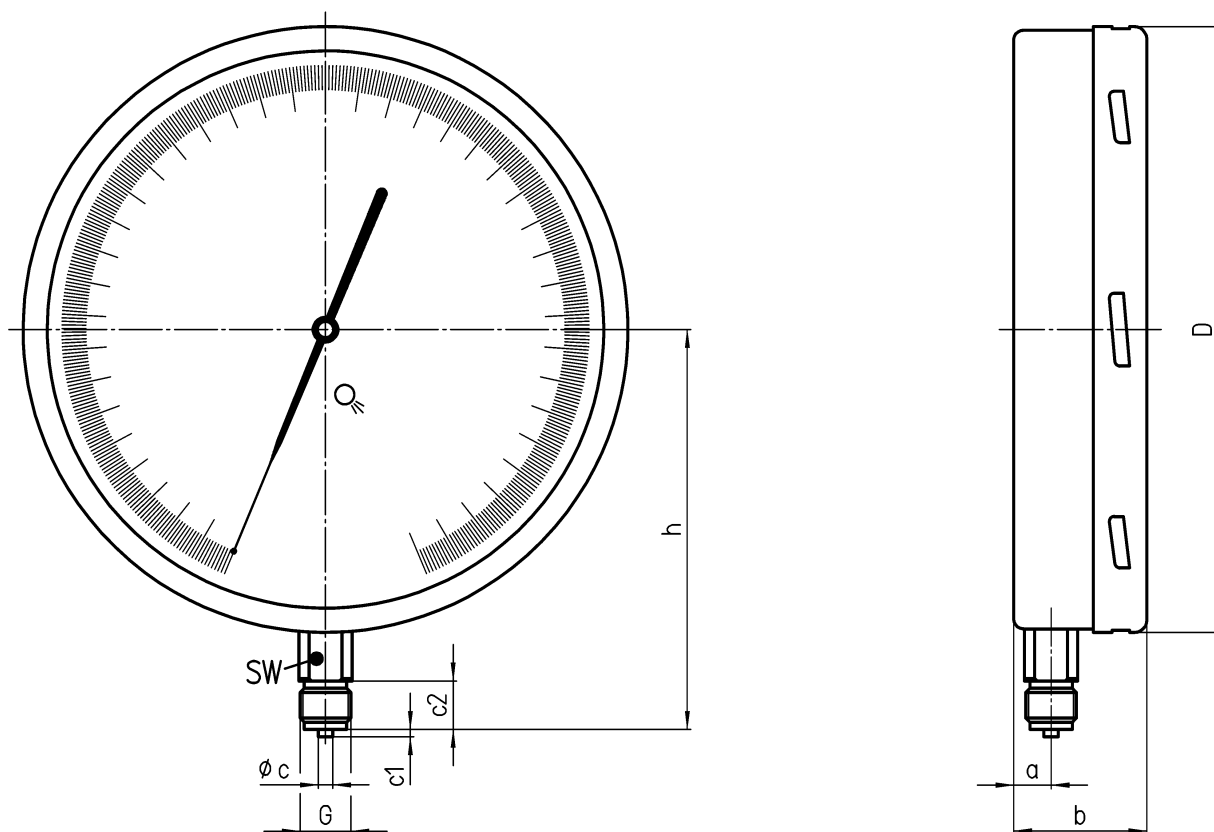
\* For these instruments an inspection report has to be created by a testing laboratory (e.g. Rostest in Moscow), which shows the relation pressure ↔ mark

Example: 0.5 MPa ^ 200.1 marks  
Instruments with report for instance available from our office in Moscow





**Case Configuration**



**Dimensional Data (mm / inches) and Weight (kg / lb)**

NCS	D	a	b	c	c1	c2	G	h	SW	Weight
250 (10")	251 9.88	15.5 0.61	55 2.17	6 0.24	3 0.12	20 0.79	M20x1.5 G 1/2 B	165 6.5	22 0.87	2.1 4.63

