

Combination of monitor and transmitter

Features of monitor as agreed (check list)  
 respectively according to data sheet 1902

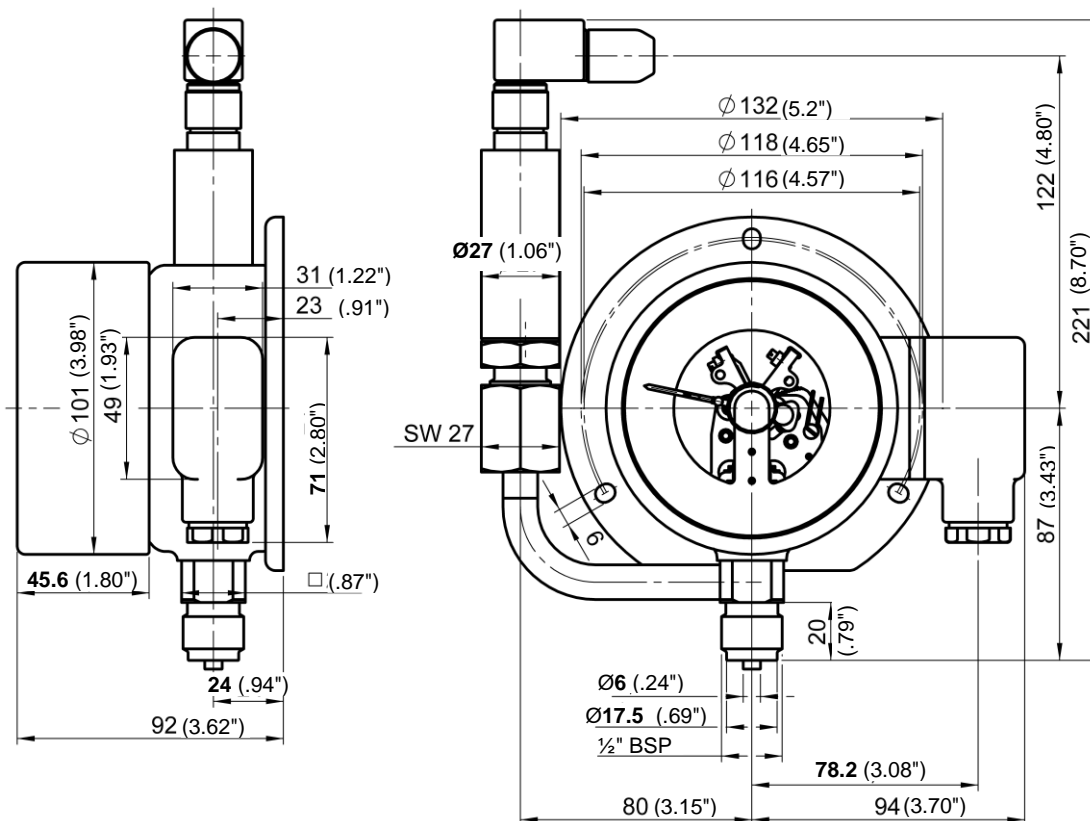
Description and features of transmitter  
 according to data sheet DIGPTMv

Characteristics

- pressure range of transmitter analogue to monitor with output signal 4...20 mA
- additional switching points of transmitter preset according to demand  
 e. g. same as switching points of the monitor



Dimensional data and weights



Weight: 1.8 kg (3.31 lb)

