



Contents

1. Information on This Operating Instruction	1
1.1 Pictographs Used in This Manual	2
1.2 Exclusion of Liability	2
2. Safety Instructions	2
3. Device Description	3
3.1 Intended Use	4
4. Technical Data	4
5. Preparation, Functions and Measuring Process	5
6. Maintenance/Cleaning, Storage and Transport	8
7. Dismounting and Disposal	8
8. Declaration of Conformity	8

1. Information on This Operating Instruction

- The manual is aimed at specialists and semi-skilled personnel.
- Please read the instructions carefully before carrying out any operation and keep the specified order.
- Thoroughly read and understand the information in chapter 2 "Safety Instructions".

If you have any problems or questions, please contact your supplier or contact us directly at:

ARMATURENBAU GmbH
Manometerstraße 5
D – 46487 Wesel-Ginderich
Tel.: +49 2803 9130 – 0 // Fax: +49 2803 1035
mail@armaturenbau.com

MANOTHERM Beierfeld GmbH
Am Gewerbepark 9
D – 08344 Grünhain-Beierfeld
Tel.: +49 3774 58 – 0 // Fax: +49 3774 58-545
mail@manotherm.com



Sales and Export South, West, North

ARMATURENBAU GmbH

Manometerstraße 5 • D – 46487 Wesel-Ginderich
Tel.: +49 2803 9130 – 0 • Fax: +49 2803 1035
www.armaturenbau.com • mail@armaturenbau.com

Subsidiary Company, Sales and Export East

MANOTHERM Beierfeld GmbH

Am Gewerbepark 9 • D – 08344 Grünhain-Beierfeld
Tel.: +49 3774 58 – 0 • Fax: +49 3774 58 – 545
www.manotherm.com • mail@manotherm.com

B59
01/17

Operating Instructions

Dead Weight Testers PD 600/PD 1000

1.1 Pictographs Used in This Manual

In this manual, pictographs are used as hazard warnings.

Particular information, instructions and restrictions designed for the prevention of personal or substantial property damage:



WARNING! Is used to warn you against an imminent danger that may result in personal injury or death.

IMPORTANT! Is used to warn you against a possibly hazardous situation that may result in personal, property or environmental damage.

CAUTION! Is used to draw your attention to important recommendations to be observed. Disregarding them may result in property damage.



Passages in the text containing **explanations, information or advice** are highlighted with this pictograph.



The following symbol highlights **actions** you have to conduct or **instructions** that have to be strictly observed.

1.2 Exclusion of Liability

We accept no liability for any damage or malfunction resulting from incorrect installation, inappropriate use of the device or failure to follow the instructions in this manual.

2. Safety Instructions

Please read this operating instruction thoroughly before operating the dead weight tester.

Disregarding the containing warnings, especially the safety instructions, may result in danger for people, the environment, and the device and the system it is connected to.

The dead weight tester corresponds with the state of engineering at the time of printing. This concerns the accuracy, the operating mode and the safe operation of the device.

In order to guarantee that the device operates safely, the operator must act competently and be conscious of safety issues.

The MANOTHERM Beierfeld GmbH provides support for the use of its products either personally or via relevant literature. The customer verifies that our product is fit for purpose based on our technical information. The customer performs customer and application specific tests to ensure that the product is suitable for the intended use. With this verification, all hazards and risks are transferred to our customers. Our warranty expires in case of inappropriate use.

Qualified personnel:

The personnel that is charged for the installation, operation and maintenance of the dead weight tester must hold a relevant qualification. This can be based on training or relevant tuition. The personnel must be aware of this manual and have access to it at all times.

General safety instructions:

- In all work, the existing national regulations for accident prevention and safety at the workplace must be complied with. Any internal regulations of the operator must also be complied with, even if these are not mentioned in this manual.
- Use the dead weight tester in its perfect technical condition only. Damaged or defective instruments need to be checked immediately and replaced if necessary.
- Only use appropriate tools for mounting, connecting and dismantling the dead weight tester.
- Nameplates or other information on the device shall neither be removed nor obliterated, since otherwise any warranty and manufacturer responsibility expires.

Special safety instructions:

Warnings, which are specifically relevant to individual operating procedures or activities, are to be found at the beginning of the relevant sections of this operating instruction.

Operating Instructions

Dead Weight Testers PD 600/PD 1000

3. Device Description

Dead weight testers are high-precision mechanical measuring instruments that are suitable for testing, adjusting and calibrating pressure measuring instruments without using an external reference device.

The main components are measuring system, valve units, spindle unit for fine adjustment of the pressure and set of weights.

The measuring system consists of a fine lapped piston/cylinder pair. The weight-loaded piston is pressed down by the local gravitation of the weights. From below the test pressure, which is generated and adjusted by the spindle pump, acts towards the piston surface area. This test pressure is increased until the hydraulic force of the medium on the piston surface area (acting from below) compensates the weight force of the piston/weight system and the equilibrium of forces is reached. During this state of equilibrium, the piston floats freely in the cylinder.

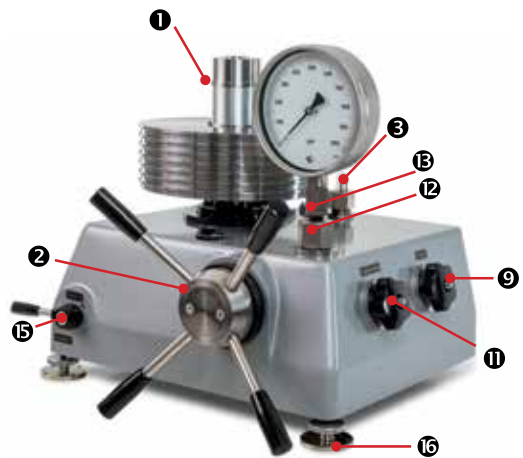
In order to simplify the handling, the weights are already standardised to the specific determined piston surface area and the local gravitation at the installation site. The set of weights is available discretely graduated in different pressure units (bar, Pa, psi).

Piston and weights are kept rotating with a motor while floating in order to minimise the influence of static friction of piston and cylinder and therefore to guarantee a sensitive discrimination threshold.

The dead weight testers described herein operate in a range from 10 to 600 bar or 10 to 1,000 bar, depending on the model.

Components:

- ① Measuring system
- ② Spindle pump with star handle
- ③ Oil reservoir (medium)
- ⑨ Valve "Pressure compensation/Druckausgleich"
- ⑪ Stop valve "Test connection/Prüfanschluss"
- ⑫ Test connection
- ⑬ Clamping sleeve (SW 27)
- ⑮ Change-over valve for external admission pressure ("Admission pressure/Vordruck", "Closed/Zu", "Vent/Entlüften")
- ⑯ Adjustable feet



Nameplate and label:

The nameplate is placed on the back of the dead weight tester. It contains the most important technical data and information.

Scope of delivery:

The delivery includes – in addition to the dead weight tester and the set of weights:

- 1 operating instruction
- 1 l special oil (medium, lubricant)
- 1 protective cover
- 1 clamping sleeve G ½ (mounted)
- 1 clamping sleeve M20x1.5
- 1 special gasket for test item, with 2 encased O-rings
- 4 O-rings as spare parts
- 2 adapters for N6x1 (admission pressure connection)
- 1 plug for oil drain (mounted)

Operating Instructions

Dead Weight Testers PD 600/PD 1000

3.1 Intended Use

The dead weight tester shall only be used for testing, adjusting and calibrating pressure measuring equipment.

Do not use the dead weight tester beyond its specification or contrary to the operating instructions.



WARNING! No safety component!

The dead weight tester is no safety component in compliance with the directive 2006/42/EC (Machinery Directive).

→ Never use the dead weight tester as safety component.

The operational safety of the device supplied is only guaranteed by intended use. The specified limit values (⇒ chapter 4 "Technical Data") must not be exceeded. This particularly applies for the adherence to the permissible full scale value and the permissible temperature range.

When using the dead weight testers, a high degree of care and precaution is required. It has to be protected from strong vibrations, moisture, shocks, magnetic fields and static electricity.



IMPORTANT! Risk of injury or material damage due to overpressure!

Exceeding the maximum overload values may lead to material failure of the dead weight tester. This may also cause serious damage to health.

→ Ensure that the overload values are never exceeded.

Please check if the dead weight tester is suitable for your application before ordering and installation.

4. Technical Data

Model	PD 600	PD 1000
Set of weights	in bar/MPa	
Basic load	10 bar	10 bar
Main measuring range	60 – 600 bar	60 – 1,000 bar
Required admission pressure air	6 bar	6 bar
Reference condition for the guaranteed accuracy	ambient temperature +20 °C ±2 °C (+68 °F ±3.6 °F)	
Accuracy class	better 0.02 % (with factory calibration MANOTHERM)	
Medium	special oil	
Lubrication	special oil	
Nominal piston cross-section	0.05 cm ²	
Rotation of the weights	by electric drive (220 V AC/50 Hz/28.5 W)	
Standard connection	male G ½ LH with clamping sleeve on G ½ right or M20x1.5 right, incl. double sealing	
Connection for external compressed air	plug connection (Prestolock) for PA hose N4x1, with adapter for N6x1	
Case	aluminum case, grey enameled (self-supporting cover), 3 adjustable feet for precise horizontal alignment according to integrated circular level	
Case dimensions incl. star handle (L x W x H)	490 x 480 x 330 mm (19.29 x 18.9 x 12.99")	490 x 480 x 400 mm (19.29 x 18.9 x 15.75")
Approx. weight		
Dead weight tester	34 kg (74.96 lb)	36 kg (79.37 lb)
Set of weights	36 kg (79.37 lb)	56 kg (123.46 lb)
Transport box dead weight tester	21 kg (46.3 lb)	21 kg (46.3 lb)
Transport box(es) set of weights	4 kg (8.82 lb)	4 + 4 kg (8.82 + 8.82 lb)

Operating Instructions

Dead Weight Testers PD 600/PD 1000

5. Preparation, Functions and Measuring Process

If the dead weight tester is not operated under typical laboratory conditions, the installation site should most widely meet the following criteria:

- Kept at constant temperature, without draughts and heat or cold sources
- Dust-free and dry, free from corrosive liquids or vapours
- Vibration-free and low-noise

The work station should be a solid plain table or workbench. Attention should be paid to sufficient free space for operating the dead weight tester.

Transporting the dead weight tester from a cold to a warm environment, condensation may result in an impairment of the device function. Thus, make sure that the device temperature has adjusted to the ambient temperature before commissioning.



IMPORTANT!

When transporting or repositioning, carry the dead weight tester at the case only, never at the measuring system. Otherwise, this may cause serious damage.

Do not tilt the device since the oil reservoirs ③ + ②⑥ are filled. If oil leaked anyhow, the reservoirs must be refilled according to the instructions.

Preparation and functions:

The dead weight tester and the set of weights are supplied in separate wooden transport boxes. Loosen the transport screws before taking the instrument out of the wooden box.

Place the instrument at the work station and adjust it with the integrated circular level by screwing the adjustable feet in or out. The adjustable feet are equipped with orifices for mounting to the work station. Screw the handles into the spindle pump head.

Before putting into operation, the oil reservoir ②⑥ for the lubricant needs to be filled with the supplied oil up to the rim of the overflow. For this, remove cap ②⑤ and base plate ①④.

Connect the electric drive.

Connection of the admission pressure:

The admission pressure is either connected via PA hose N4x1 or via adapter for N6x1 to the plug connection ⑦ (Prestolock).

To protect the dead weight tester from contamination, a maintenance unit consisting of pressure regulator and filter (pore size 10–20 µm with oil and water separator) is to be placed into the line of the admission pressure to the dead weight tester. With the pressure regulator, the pressure needs to be limited to max. 10 bar.

Refilling the oil reservoir (medium) ③:

The instrument is supplied filled.

If the red float pin is no longer visible in the window of the oil column, oil must be refilled.

Please use only the oil included in the delivery or the re-ordered oil.



IMPORTANT!

Turn the change-over valve ⑮ to “Vent/Entlüften”.

The system must be unpressurised.

Close valve ⑨ “Pressure compensation/Druckausgleich” and turn change-over valve ⑮ to “Closed/Zu”. Remove the union nut and the cap from the oil reservoir. Fill in the oil up to the lower rim of the reservoir while pressing down the float pin. Close the reservoir again with cap and union nut. Open valve ⑨ and turn the change-over valve ⑮ to “Vent/Entlüften”.



Please note:


After approximately 40 operating hours, the overflow oil of the system should be drained via oil drain ⑮.

Measuring process:

Test process with connected admission pressure:



With admission pressure (up to 10 bar), the system can be filled faster.

 All valves have to be closed.

→ Open valve ① and press oil up to the sealing edge of connection ⑫ with the spindle pump before screwing in the test item.

→ The test item is tightly screwed into the clamping sleeve ⑬ at the test connection ⑫.



IMPORTANT! Attention must be paid to thorough sealing! Please use an appropriate wrench and the designated wrench flat. During screwing in, the pressure measuring devices should never be held at the case!

Operating Instructions

Dead Weight Testers PD 600/PD 1000

- Open valves 9 + 10.
- According to the required pressure, place weights upon the base plate 14 with due regard to the instructions (⇒ “Set of weights”).



IMPORTANT!

Carefully place the weights onto the dead weight tester. All weights need to be applied separately. Never try to place and remove several weights or the entire stack on and from the dead weight tester respectively.

- In order to fill the system, turn the change-over valve 15 to “Admission pressure/Vordruck”.
- Then, close valve 9.
- Increase the pressure via spindle pump 2 until the piston with the weights starts floating slightly.
- Switch on the electric drive via switch 19.
- Readjust the pressure by turning the spindle pump until the upper edge of the base plate 14 (⇒ Figure 3) matches the marking on the mirror of the reading device 5.



IMPORTANT!

It is essential to ensure that the piston neither touches the upper nor the lower stop during the measurement.

Before applying the 100 bar weight, the motor needs to be switched off and the measuring system needs to be stopped.

In general: The motor has to be switched off before relieving pressure.

Pressure relief:

When opening valve 9, the pressure is relieved. To reduce the pressure to 0 bar, the admission pressure must be relieved as well by turning the change-over valve 15 to “Vent/Entlüften” and opening valve “Ventilation admission pressure/Entlüftung Vordruck” 8.

When actuating the change-over valve 15, please make sure that it notably snaps into place at the lever position right above the tags!

Set of weights:



IMPORTANT!

Please handle the weights with care and avoid all kinds of damage!

The set of weights is supplied in one wooden box for model PD 600 and in two wooden boxes for model PD 1000.

The weights and the base plate 14 (basic load) are marked with the pressure (in bar and MPa) they generate on the dead weight tester, with the instrument identification number and the full scale value. The base plate 14 (basic load) without any weights generates a pressure of 10 bar.

We recommend to use the supplementary weight to facilitate the application of further weights.

The supplementary weight is the weight 90 bar as supplement to the basic load of 10 bar to generate 100 bar pressure.

The supplementary weight is marked with number 1 and the weights (100 bar) are marked with the numbers 2 to 6 (PD 600) or 2 to 10 (PD 1000). Please observe the correct order when placing the weights, i.e. first the supplementary weight with number 1 at the very bottom and the weight number 6 or 10 as the last one on top.

The sets of weights comprise as follows:

PD 600

1 weight	90 bar (supplementary weight)
5 weights	100 bar
4 weights	20 bar
1 weight	10 bar
2 weights	4 bar
1 weight	2 bar

PD 1000

1 weight	90 bar (supplementary weight)
9 weights	100 bar
4 weights	20 bar
1 weight	10 bar
2 weights	4 bar
1 weight	2 bar

The smallest graduation of the supplied set of weights is 2 bar.

Correction weights for smaller graduations and for corrections of ambient parameter deviations of the standard conditions are available upon request.

Operating Instructions

Dead Weight Testers PD 600/PD 1000

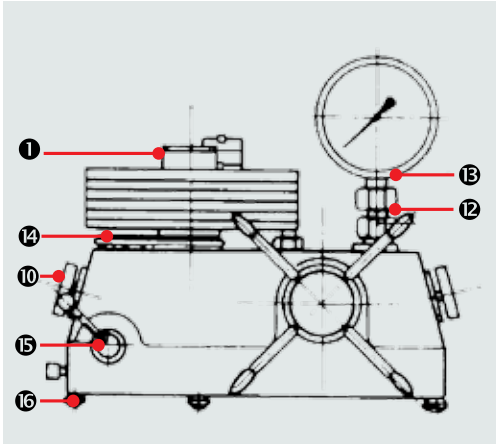


Fig. 1

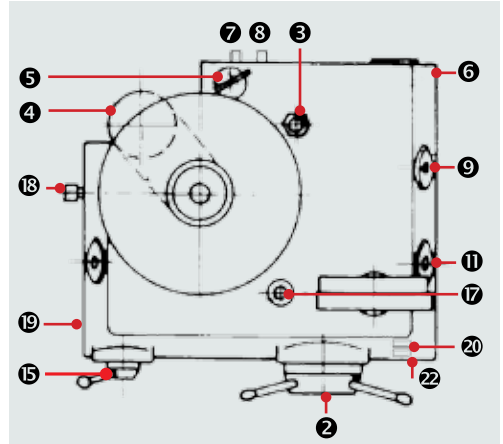


Fig. 2

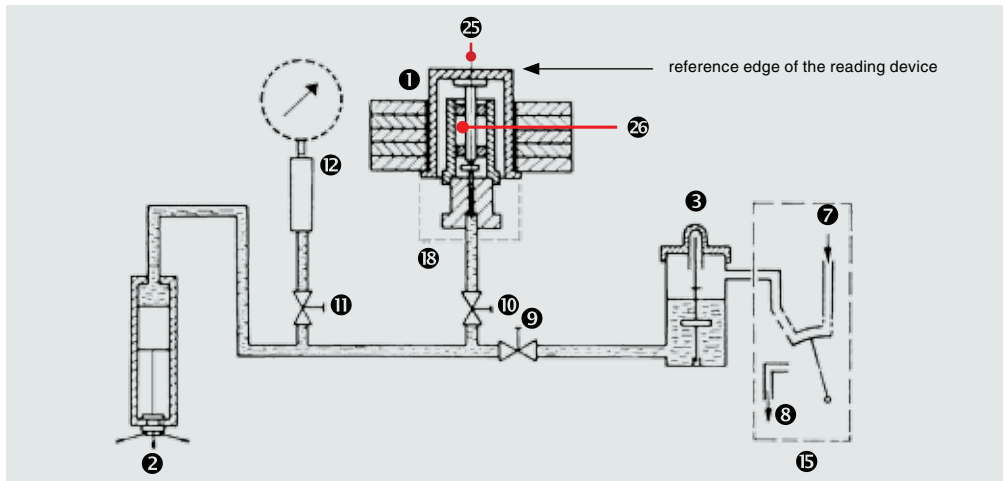


Fig. 3: schematic drawing

- | | | |
|--|---|---|
| 1 Measuring system | 10 Stop valve "Measuring system/Messsystem" | 16 Adjustable feet |
| 2 Spindle pump with star handle | 11 Stop valve "Test connection/Prüfanschluss" | 17 Circular level |
| 3 Oil reservoir (medium) | 12 Test connection | 18 "Oil drain/Ölablass" (overflow of the system) |
| 4 Electric drive | 13 Clamping sleeve (SW 27) | 19 Switch electric drive |
| 5 Reading device (mirror) | 14 Base plate (basic load) | 20 Calibration plate (for accredited calibration) |
| 6 Case | 15 Change-over valve for external admission pressure ("Admission pressure/Vordruck", "Closed/Zu", "Vent/Entlüften") | 22 Nameplate |
| 7 "Connection admission pressure/Anschluss Vordruck" | | 25 Cap |
| 8 "Ventilation admission pressure/Entlüftung Vordruck" | | 26 Oil reservoir (lubricant) |
| 9 Valve "Pressure compensation/Druckausgleich" | | |

Legend

Operating Instructions

Dead Weight Testers PD 600/PD 1000

6. Maintenance/Cleaning, Storage and Transport



CAUTION! Material damage and loss of warranty!

Any modifications or interventions in the device, made by the customer, might damage important parts or components. Such intervention leads to the loss of any warranty and manufacturer's responsibility!

→ Never modify the device or perform any repairs yourself.

Maintenance:

The instrument cannot be repaired by the operator. In case of faults, which cannot be eliminated without interference in the device, please return the instrument to the manufacturer for repair. Any arising repairs may only be executed by the manufacturer.

Cleaning:

- Clean the dead weight tester with a dry or slightly dampened lint-free cloth.
- Do not use any sharp objects or aggressive agents for cleaning.

Storage and transport:

- Use the original packaging or comparable packaging for transport.
- Avoid impacts or strong vibrations.
- Protect the device against moisture, dust, direct sunlight and other heat sources.

7. Dismounting and Disposal

Before dismounting:

The test item must be unpressurised before dismounting! For this purpose, the valves should be open.

Disposal:



NO DOMESTIC WASTE!

The dead weight tester comprises various materials. It shall not be disposed together with domestic waste.

→ Bring the dead weight tester to your local recycling plant

or

→ send the dead weight tester back to your supplier or to the MANOTHERM Beierfeld GmbH.

8. Declaration of Conformity



The CE marking of the instruments certifies the conformity with prevailing EU directives for placing products on the market within the European Community. The following directive applies:

2014/68/EU (PED)

The corresponding declaration of conformity is enclosed or available upon request.