

Digital Display

With installed power supply,
Programmable for pressure transmitters

DPM

Construction

The process-controlled digital display DPM can be set via front panel keypad and sliding switches. Both the indication span and the required limit values can be adjusted via the easy three-key operation and optionally be locked with the sliding switch. With optionally 2 or 4 limit value contacts, even small scale control and monitoring tasks can be realised easily, economical and without any additional devices. Due to its splash-proof front, the DPM is highly suitable for industrial applications.

Features

- Degree of protection front side IP65
- Optional current output 0/4...20 mA
- Optional 2 or 4 limit values
- Adjustable hysteresis
- Sensor supply (for input -gs)
- Lighted unit panel (any unit)
- Pluggable terminal blocks
- CE symbol



Standard Version

Case

Switch panel mounting, 96 x 48 x 130 mm with 2 lateral clips
Panel cut out, 92.5 x 45 mm, tol. -0.5 mm

Degree of Protection

Front side IP65
Back side IP20

Input

Pt100 -100 / +600 °C (-148 / +1112 °F)

Current/voltage	0/4...20 mA	R _i = 50 Ω
	0...1 V	R _i = 50 kΩ
	0...10 V	R _i = 50 kΩ

Potentiometer 0.1...10 kΩ

Measuring Accuracy and Resolution

0.1 % ±1 digit, 15 bit

Display

7 segments -1999 / +9999

Sensor Supply

Short-circuit proof approx. 20 V DC max. 30 mA

Auxiliary Supply

AC	230 V AC	50/60 Hz approx. 7 VA
DC	24 V DC ±10 %	max. 0.3 A

Ambience

Storage temperature: -20 / +70 °C (-4 / +158 °F)
Operating temperature: 0 - 50 °C (32 - 122 °F)
Humidity: 0 - 95 % without condensation

Options

- Switching outputs
 - 2 or 4 limit values
 - 250 V/3A AC change-over contact, gold contacts
 - hysteresis and switching function adjustable
- Analogue output -sa
 - current 0...4 - 20 mA
 - 12 bit resolution, max. 500 Ω load impedance
 - freely adjustable
 - voltage 0 - 10 V as special version

Ordering Information

Basic model	DPM	
Input	direct current signals	= gs
	Pt100	= pt
	potentiometer	= P
Current output	without (standard)	= -
	0...4 - 20 mA	= sa
Switching outputs	2 limit values	= 2 GW
	4 limit values	= 4 GW
Auxiliary supply	230 V AC or 24 V DC	
Special version	e.g. current output (sa) 0 - 10 V	
	others upon request	

Example: DPM-gs-2GW, 230 V AC



Sales and Export South, West, North

ARMATURENBAU GmbH

Manometerstraße 5 • D - 46487 Wesel-Ginderich
Tel.: +49 2803 9130 - 0 • Fax: +49 2803 1035
www.armaturenbau.com • mail@armaturenbau.com

Subsidiary Company, Sales and Export East

MANOTHERM Beierfeld GmbH

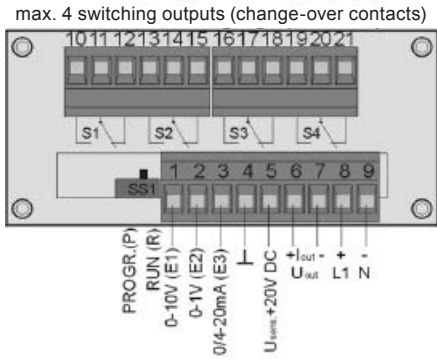
Am Gewerbepark 9 • D - 08344 Grünhain-Beierfeld
Tel.: +49 3774 58 - 0 • Fax: +49 3774 58 - 545
www.manotherm.com • mail@manotherm.com

9910

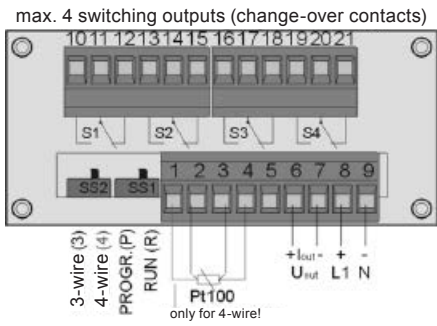
08/18

Connections

DPM-gs (current/voltage)



DPM-pt (PT100)



DPM-p (potentiometer)

