

Digital Precision Pressure Gauge LILLY_{press} PLUS with Large Graphic Display

Pressure ranges from 0 – 2.5 bar to 0 – 700 bar, accuracy $\leq \pm 0.1$ % FS

DPG 1010

Application

The battery-operated digital pressure gauge DPG 1010 is suitable for measuring positive and negative overpressures of gaseous and liquid media for pressure ranges from 0 – 2.5 bar to 0 – 700 bar. The electronic processing of the measuring signal opens up various possibilities for the device, which go far beyond those of the mechanical pressure gauges.

In addition to the large, highly legible, 5-digit digital indication for the measurand pressure, the graphic display also indicates a bargraph for orienting indication of the primary measurand pressure, the battery status and the set pressure unit. The device temperature close to the sensor can be displayed or hidden as required. The instrument is equipped with a MIN/MAX value memory, a damping function for suppressing pulsation, an automatic STANDBY function, adjustability of the number of decimal places, adjustability of the measuring rate as well as a TARE function for zero setting of the indication in the unpressurised state.

The device is encased EMC-safe in a proven bayonet ring case made of stainless steel (IP65) with atmospheric pressure compensation.

Construction

- Accuracy $\leq \pm 0.1$ % FS
- Piezoresistive sensor made of stainless steel
- Bayonet ring case stainless steel, NCS 100 (4"), rotatable approx. 340°
- Large LC graphic display, digit height 14 mm (0.55")
- Temperature indication
- AUTO-STANDBY adjustable
- Number of decimal places adjustable
- Battery Li-SOCI2 3.6 V/2600 mAh

Standard Versions

Process Connection

Material: stainless steel 1.4404 (1.4542)
Connection thread: G $\frac{1}{2}$ B (½" BSP) (DIN EN 837)

Measuring Cell/Sensor

Stainless steel 316L

Case

With bayonet ring polished, stainless steel 304 (1.4301), NCS 100(4"), degree of protection IP65, rotatable

Pressure Ranges/Overload Capability in bar/psi

See page 2

Display

LC graphic display: 400 x 240 dot
Visible area: 58.8 x 35.3 mm (2.31 x 1.39")
Main indication pressure: 5 digits, digit height 14 mm (0.55")
Additional indication unit: 6 digits, digit height 5 mm (0.2")
Additional indication temperature: 0 – 50 °C (32 – 122 °F), digit height 3 mm (0.12")

Indicating range: ± 99999
Pressure units: bar, psi, kPa/MPa, kp/cm²
Temperature units: °C, °F

TARE/ZERO function
MIN/MAX memory
Software low-pass
Measuring rate adjustable
Number of decimal places adjustable
Bargraph and battery status



Supply Voltage

Battery Li-SOCI2 3.6 V/2600 mAh

Automatic Switchoff

AUTO-STANDBY adjustable in 10 minute steps or OFF for deactivation of the automatic power save mode

Battery Life

>2400 h (depending on measuring rate and STANDBY time)

Measurement Accuracy

$\leq \pm 0.1$ % FS

Temperature

Operating temperature: 0 °C to +50 °C (+32 °F to +122 °F)
Medium temperature: -20 °C to +80 °C (-4 °F to +176 °F)
Storage temperature: -20 °C to +60 °C (-4 °F to +140 °F)

Temperature Influence

≤ 0.05 % FS/10 K

Reference Temperature

+25 °C (+77 °F)

Long-term Stability

≤ 0.05 % FS/a (at reference conditions)

Sample Rate

>2 measurements/s, from 0.5 s adjustable in steps of seconds

Electromagnetic Compatibility

Interference emission and stability according to DIN EN 61 326

Options

- Connection threads: ½" NPT, ¼" NPT, M20x1.5
- Front foil neutral or according to customer request
- Absolute pressure

Ordering Information

Please specify in your order:

Basic model DPG 1010
Process connection e.g. ½" NPT
Pressure range e.g. 0 – 4 bar
Option e.g. absolute pressure

Example: DPG 1010, ½" NPT, 0 – 4 bar

www.armano-messtechnik.com

ARMANO

ARMANO Messtechnik GmbH

Location Beierfeld

Am Gewerbepark 9 • 08344 Grünhain-Beierfeld
Tel.: +49 3774 58 – 0 • Fax: +49 3774 58 – 545
mail@armano-beierfeld.com

Location Wesel

Manometerstraße 5 • 46487 Wesel-Ginderich
Tel.: +49 2803 9130 – 0 • Fax: +49 2803 1035
mail@armano-wesel.com

9642

08/20

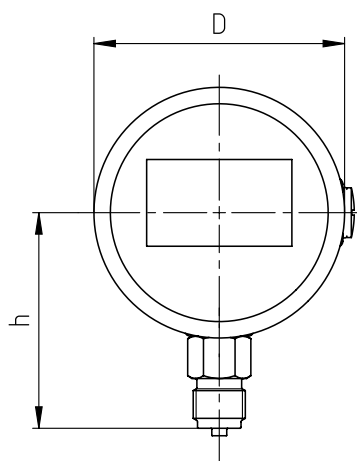
Measuring Ranges, Overload Capability, Case Configuration, Dimensional Data and Weight

Measuring Ranges/Overload Capability in bar/psi			
Measuring range		Overload	
bar	psi	bar	psi
-1 / +1.5	30" hg vac / 30	3.5	50
-1 / +3	30" hg vac / 60	5.5	80
-1 / +5	30" hg vac / 100	9	130
-1 / +9	30" hg vac / 160	14	200
-1 / +15	30" hg vac / 200	22	320
0 - 2.5	0 - 30	3.5	50
0 - 4	0 - 60	5.5	80
0 - 6	0 - 100	9	130
0 - 10	0 - 160	14	200
0 - 16	0 - 200	20	300
0 - 25	0 - 400	38	550
0 - 40	0 - 600	55	800
0 - 60	0 - 1,000	90	1,300
0 - 100	0 - 1,500	150	2,200
0 - 160	0 - 2,500	220	3,500
0 - 250	0 - 4,000	400	6,000
0 - 400	0 - 6,000	600	9,000
0 - 600	-	900	-
0 - 700	0 - 10,000	1100	13,000

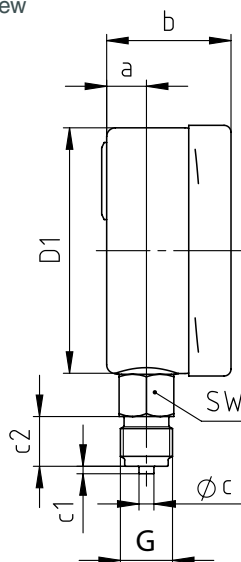
Process Connection

Standard: G½B / optional: M20x1.5

front view

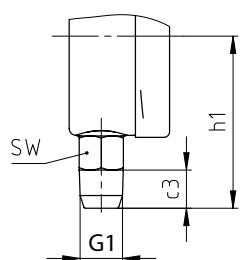


lateral view

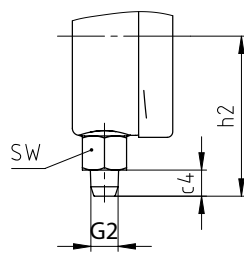


Optional process connections

½" NPT



¼" NPT



Dimensional Data (mm/inch) and Weight (kg/lb)

NCS	a	b	c	c1	c2	c3	c4	D	D1	G	G1	G2	h±1	h1±1	h2±1	SW	approx. weight
100 4"	16 0.63	50 1.97	6 0.24	3 0.12	20 0.79	19 0.75	13 0.51	101 3.98	99 3.9	G½B (½" BSP) M20x1.5	½" NPT	¼" NPT	87 3.43	84 3.31	80 3.15	22 0.87	0.5 1.1