

Resistance Thermometers for Ambient Temperature Measurement

TPtRG
TPtRGT

Application

The resistance thermometers TPtRG and TPtRGT in plastic wall-mount housing are designed for measuring ambient temperatures.

For both models, we offer various measuring resistors according to DIN EN 60 751. In addition, model TPtRGT is available with several fitted transmitters with analogue or digital output.

Standard Versions

Measuring Element

Platinum thin-film measuring resistor Pt100 according to DIN EN 60 751 in 2-, 3- or 4-wire connection

Operating Temperature Range

-40 °C to +85 °C (-40 °F to +185 °F)

Accuracy

Class AA, A or B according to DIN EN 60 751

Temperature Sensor

Material: stainless steel 316Ti (1.4571)
Stem Ø dF: 6 mm (0.24")
Stem length L: 50 mm (1.97")
Measuring insert not replaceable

Case (W x H x D)

Plastic wall-mount housing 58 x 65 x 40 mm (2.28 x 2.56 x 1.57")

Degree of Protection (DIN EN 60 529)

IP65

Output Signal

Model TPtRG: resistance according to DIN EN 60 751
Model TPtRGT: 4...20 mA, HART® or PROFIBUS® PA/
FOUNDATION™ Fieldbus

Ordering Information

See page 2

Special Versions (Upon Request)

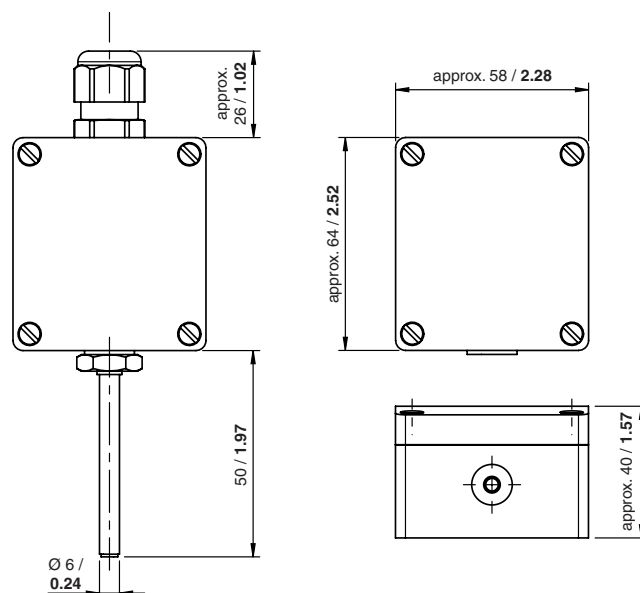
Other basic values (e.g. Pt500, Pt1000) and limited tolerances (e.g. ½ cl. B, ⅓ cl. B)

Accessories

- Transmitters for rail mounting
- Digital displays for switch panel mounting or wall mounting
- Connection cables



Dimensional Data (mm/inch)



www.armano-messtechnik.com

ARMANO

ARMANO Messtechnik GmbH

Location Beierfeld
Am Gewerbepark 9 • 08344 Grünhain-Beierfeld
Tel.: +49 3774 58 - 0 • Fax: +49 3774 58 - 545
mail@armano-beierfeld.com

Location Wesel
Manometerstraße 5 • 46487 Wesel-Ginderich
Tel.: +49 2803 9130 - 0 • Fax: +49 2803 1035
mail@armano-wesel.com

8581

05/19

Ordering Information

Basic Model:		Resistance Thermometer for Ambient Temperature Measurement	TPtRG	
Transmitter:	without		without code letters	
	with fitted transmitter		T	
Measuring resistor:	Pt100 DIN EN 60 751, class AA		AA	
	Pt100 DIN EN 60 751, class A		A	
	Pt100 DIN EN 60 751, class B		B	
Connection method:	2-wire connection		2L	
	3-wire connection		3L	
	4-wire connection		4L	
With fitted transmitter:	TT5331: 4...20 mA		5331-A, 5331-D	
	TT5333: 4...20 mA ¹⁾		5333-A, 5333-D	
	TT5337: 4...20 mA + HART 7		5337-A, 5337-D	
	TT5350: PROFIBUS® PA/FOUNDATION™ Fieldbus		5350-A, 5350-B	
Measuring range:	scaling of the 4...20 mA signal to the temperature range	e.g.	0 °C to +250 °C	
Options:	instrument tag	sticker on the case		

Example: TPtRGT, B, 2L, 5331-A, 0 °C to +250 °C

Special Versions: Please describe your requirements in cleartext!

¹⁾ only 3-wire connection applicable