

Diaphragm Seals Flange Type

for small nominal case sizes with large control volume
Flange connection according to DIN EN, ASME

MDM 7511v
MDM 7521v

Standard Version

Information on applications, properties, metrological influences such as temperature, level difference, floating time and others, can be found in model overview 7000. Furthermore, you will also find indications on other chemical seal versions.

Application

Diaphragm seals of the type series 75.. are suitable for aggressive, contaminated and hot media.

Numerous common pressure gauges of our supply programme can be equipped with these chemical seals, but also pressure switches, pressure transmitters and pressure transducers, depending on the nominal case size of the chemical seal up to PN 10/40 or Class 150.

Construction

The diaphragm is welded free of dead space to the process side of the chemical seal.

Model 75..vd8 has an orifice d8 as instrument connection for welding to a pressure gauge with process connection d8x5, e.g. RCh 100 – 3vDW, cooling element or capillary line.

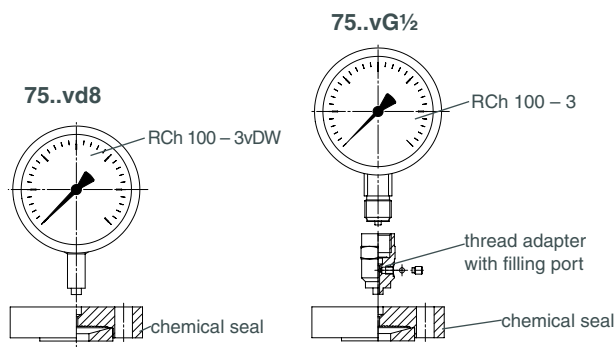
Leakage cannot occur at the welded connection of pressure gauge / upper part and the filling port, which is not accessible from the outside.

The parts can be easily cleaned externally.

Model 75..vG½ has a measuring instrument adapter with female thread for direct mounting to measuring instruments with male thread. The screwed connections pressure gauge / adapter and the filling port must not be loosened or opened at any time, or else filling fluid will leak and the measuring unit loses its efficiency.

NACE resp. Sour Gas Application

The material we use complies with the NACE MR 0175 standards (NACE 0103 upon request). Only material with test certification is used.



Chemical Seal

Stainless steel 1.4404 (316 L)

Instrument Connection

75..vd8 : for welding to measuring instrument, capillary line or cooling element with welding connection (recommended for media temperatures higher than 100 °C (212 °F))

75..vG ½ : G ½ female (½" BSP)

Diaphragm

Sinus-shape, stainless steel 1.4435 (316 L)

He-leak detection up to 10⁻⁹ mbar l/s

Effective diaphragm diameter dM, see tables on page 3



Sealing Face

According to DIN EN 1092-1 Form B, sealing face B1, flange stamped B, Raised Face (RF) for ASME B 16.5

Nominal Pressure

See tables on page 3

Minimum Span Pressure Gauges

See tables on page 3

t_k-Value (mbar/10K) (Temperature Coefficient of the Chemical Seal)

See tables on page 3 (Silicone oil FA 1)

Accessories

Capillary line, cooling elements: see data sheet 7002

Process connection pieces and sealings do not belong to the standard supply programme, but are available upon request.

Construction / Filling / Certificates

Information on mounting, filling and certificates are available upon request.

Ordering Information Chemical Seals

Please note our detailed ordering information

- in model overview 7000
 - in the check lists for pressure measuring instruments with chemical seals and
 - in the data sheets of the requested pressure measuring instrument and add the information for the respective chemical seal:
 - Model: e.g. MDM 7511vd8, MDM 7521vG½
 - Nominal case size: e.g. NPS 1", DN 25
 - Nominal pressure: e.g. Class 150, PN 10/40
- if necessary, options: see page 2, e.g. wetted parts PTFE

The reference temperature is +20 °C (+68 °F). Please indicate, if an operating temperature (tA) deviating from +20 °C (+68 °F) max. is required (dial inscription tA...).

Example: Pressure gauge...

Chemical seal: MDM 7511 vd8, DN 25, PN 10/40, tA +80°C



Sales and Export South, West, North

ARMATURENBAU GmbH

Manometerstraße 5 • D – 46487 Wesel-Ginderich
Tel.: +49 2803 9130 – 0 • Fax: +49 2803 1035
armaturenbau.com • mail@armaturenbau.com

Subsidiary Company, Sales and Export East

MANOTHERM Beierfeld GmbH

Am Gewerbepark 9 • D – 08344 Grünhain-Beierfeld
Tel.: +49 3774 58 – 0 • Fax: +49 3774 58 – 545
manotherm.com • mail@manotherm.com

7501

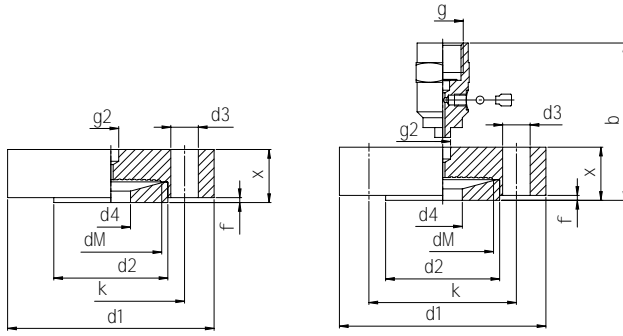
11/15

Ordering Information, Further Options

Basic Models:		Diaphragm Seals			MDM 75..v	
Instrument connection:	orifice d8 for direct welding to measuring instrument, with cooling element or with capillary line				75..vd8	
	G ½ female (½" BSP) option: G ¼ female (¼" BSP)				75..vG ½	
Chemical seal:		Flange	Sealing Face	Diaphragm		
		Standard				
	Flange: stainless steel 1.4404 (316 L)	Stainless steel 316 L	Stainless steel 316 L	Stainless steel 316 L	Stainless steel 316 L	Stainless steel 316 L
		Options wetted parts special material				
		Tantalum	Stainless steel 316 L	Tantalum	Tantalum	Stainless steel 316 L / Tantalum
		Hastelloy C276	Stainless steel 316 L	Hastelloy C276	Hastelloy C276	Stainless steel 316 L / Hastelloy C276
		Monel 400	Stainless steel 316 L	Monel 400	Monel 400	Stainless steel 316 L / Monel 400
		Options solid made of special material				
		Titanium	Titanium	Titanium	Titanium	Titanium
		Hastelloy C276	Hastelloy C276	Hastelloy C276	Hastelloy C276	Hastelloy C276
Monel 400	Monel 400	Monel 400	Monel 400	Monel 400		
Process connection:	according to DIN EN 1092-1 or ASME					
Further options:	Form of sealing face					
	sealing face according to DIN EN 1092-1 Form B2, stamped B2, A, C, D, E, F, G, ASME RJF-circular groove					
	Special material for diaphragm and sealing face					
		2.4610	Hastelloy C4			
		2.4602	Hastelloy C22			
		2.4819	Hastelloy C276			
		2.4816	Inconel 600			
	1.4462	Duplex				
Special versions:	other instrument connections upon request, whereas we do not recommend NPT female threads					
	other material combinations upon request					
	versions according to other standards (such as JIS), other sealing faces, shapes and nominal case sizes upon request					
	calculation of the temperature related additional error for the whole measuring unit					

Dimensional Data (mm), Weight (kg), Minimum Span (bar) and t_k -Value (mbar/10K)

Flange Connection Similar to DIN EN 1092-1 Form B1 / ASME



MDM 7511v DIN EN 1092-1

DN	PN	b	d1	d2	d3	d4	dM	f	g	g2	k	x	Minimum span	t_k -value	Weight (approx.)	
															vd8	vG½
15	10/40	59	95	45	4xØ14	15	38	2	G½	Ø 8	65	25	0 – 1 ²⁾	0.80	1.22	1.35
20		61	105	58		20	52				75	27	0 – 1 ¹⁾	0.95	1.62	1.75
25		115	68	25		60	85				0 – 0.6 ¹⁾	0.82	1.92	2.05		

MDM 7521v ASME B16.5

NPS	Class	b	d1	d2	d3	d4	dM	f	g	g2	k	x	Minimum span	t_k -value	Weight (approx.)	
															vd8	vG½
½"	150	54.2	88.9	35.1	4xØ15.7	16	26	1.6	G½	Ø 8	60.5	20.6	0 – 1 ²⁾	0.80	1.02	1.15
¾"		55.7	98.6	42.9		20	34				69.9	22.6	0 – 1 ¹⁾	0.95	1.12	1.25
1"		57.2	108	50.8		26	38				79.2	23.6	0 – 0.6 ¹⁾	0.82	1.62	1.75