

Capsule Gauge for Low Pressure

Crimped-on ring case stainless steel

KPChg 80

KPChgG 80

Standard Versions

Information on general and metrological features (load limits / temperature-resistance, among others) and standard pressure ranges / scale divisions can be found in model overview 6000.

Accuracy (EN 837-3)

Class 1.6

Case

With polished crimped-on ring, 1.4301 (304 stainless steel)

Case Protection Type (EN 60 529 / IEC 529)

IP 54

Case Ventilation

Model KPChgG Case ventilation closable
Ventilation required for internal pressure compensation

Case Filling

For model KPChgG: glycerine

Nominal Case Size

80 mm (3")

Wetted Parts

Type – 1: Connection: brass
Diaphragm capsule: CuBe-alloy
O-ring sealing: NBR

Type – 3: Connection: stainless steel 316 SS
Diaphragm capsule: stainless steel 316 SS
O-ring sealing: FPM

Case Configuration

Connection: screwed
Position of the connection: bottom connection,
optional centre back connection (rm)
Mounting device: without, optional back flange for
surface mounting (Rh) / front flange
for panel mounting (Fr) or u-clamp
for panel mounting (BFr),
see page 2

Pressure Ranges (EN 837-3)

KPChg 80rm 0 – 2.5 mbar to 0 – 600 mbar
(0 – 1.0 "WC to 0 – 250 "WC)
KPChg 0 – 25 mbar to 0 – 600 mbar
(0 – 10 "WC to 0 – 250 "WC)
KPChgG 80, KPChgG 80-rm 0 – 100 mbar to 0 – 600 mbar
(0 – 40 "WC to 0 – 250 "WC)

Process Connection

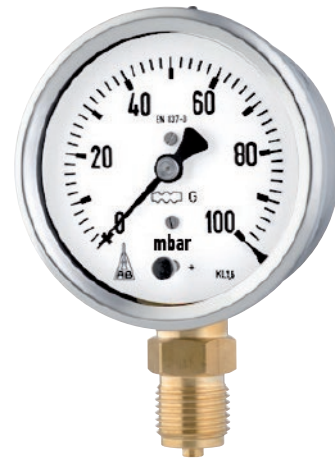
G ½ B (½" BSP)

Window

KPChg Acrylic glass (punched for zero adjustment)
KPChgG Polycarbonate (punched for zero adjustment)

Movement

Brass / German silver for type – 1
Stainless steel for type – 3



Dial

Aluminium white, scaling black

Pointer

Aluminium black

Zero Adjustment

Frontsided

Ordering Information, Standard Pressure Ranges, Options

See pages 3 and 4

Special Versions and further Options among others

- Other process connections upon request
- Other pressure ranges and / or special scales, e.g. dual scale mbar/kPa, coloured fields or ranges, dial inscriptions, negative scale etc.
- Case parts 316 L stainless steel (1.4404) upon request
- Increased case protection type, e.g. IP 65 upon request
- Wetted parts free of grease and oil for type – 3 upon request
- Oxygen version for type – 3 without case filling upon request
- Version for higher medium temperatures upon request
- Position of the connection radial at 3 o'clock, 9 o'clock, 12 o'clock (others upon request) or position of connection other than vertical installation (90°) for types without case filling
- GOST-version for Russia, Ukraine, Kazakhstan

Accessory

See catalogue heading 11



Sales and Export South, West, North

ARMATURENBAU GmbH

Manometerstraße 5 • D-46487 Wesel-Ginderich
Tel.: +49 (0) 28 03/91 30-0 • Fax: +49 (0) 28 03/ 10 35
armaturenbau.com • mail@armaturenbau.com

Subsidiary Company, Sales and Export East

MANOTHERM Beierfeld GmbH

Am Gewerbepark 9 • D-08344 Grünhain-Beierfeld
Tel.: +49 (0) 37 74/58-0 • Fax: +49 (0) 37 74/58-545
manotherm.com • mail@manotherm.com

6203

02/14

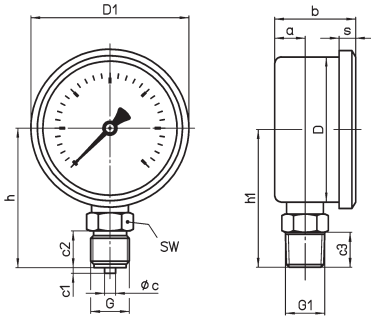
Case Configurations, Code Letters, Dimensional Data and Weights, Blow-out Device

Bottom Connection

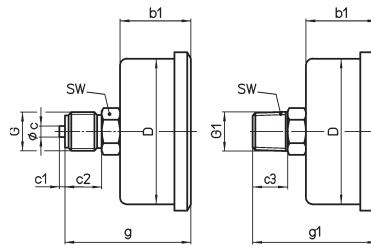
Centre Back Connection

no mounting device

(no additional code letters)

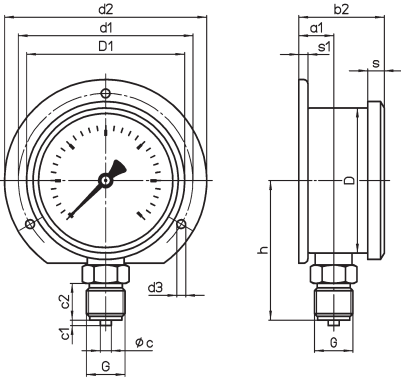


code letters: **rm**



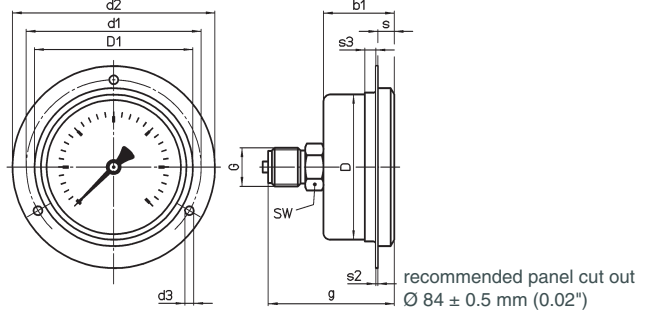
with back flange for surface mounting

code letters: **Rh**



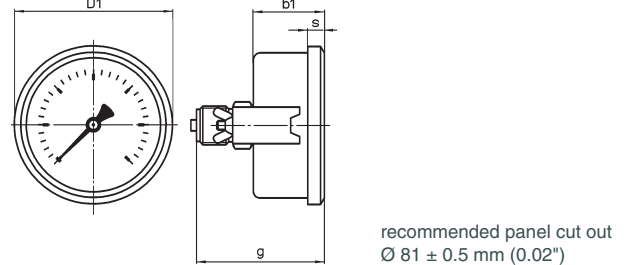
with front flange for panel mounting

code letters: **rmFr**



with u-clamp for panel mounting

code letters: **rmBFr**



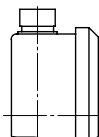
Dimensional Data (mm/inches) and Weights (kg/lb)

NCS	a		b		c	c1			D1	d1	d2	d3	g	g1	G	G1	h±1	h1±1	s	s1	s2	s3	SW	approx. Weight ¹⁾		
	a1	b1	b2	c1		c2	c3	KPChg																KPChgG		
80 (3")	16 .63	20 .79	43 1.7	37 1.46	47 1.85	6 .24	3 .12	20 .79	19 .75	86 3.39	95 3.74	110 4.33	4.8 .19	67 2.63	66 2.6	G 1/2 B (1/2" BSP) M 20x1.5	1/2" NPT	76 2.99	75 2.95	9 .35	6 .24	1 .04	6 .24	22 .87	0.37 .82	0.50 1.10

¹⁾ Indications for versions without mounting device

Case Ventilation

Model KPChgG
Case ventilation no. 26
closable



Ordering Information with Standard Pressure Ranges, Options

Basic Model:		Capsule Gauge for Low Pressure, Crimped-on Ring Case				KPChg	
Case filling:	without					no code letters	
	glycerine					G	
Nominal case size:	case-Ø 80 mm (3")				80		
Wetted material:	copper alloy					- 1	
	stainless steel					- 3	
Case configuration:	case / connection	screwed				no code letters	
	position of the connection	bottom centre back				no code letters rm	
mounting device	without				no code letters		
	back flange for surface mounting				Rh		
	front flange for panel mounting				Fr		
	u-clamp for panel mounting				BFr		
Pressure ranges:	mbar			inchWC			rm only
	Vacuum	Compound ranges	Pressure	Vacuum	Compound ranges	Pressure	
	-2.5 – 0 ¹⁾	-1 – 1.5 ¹⁾	0 – 2.5 ¹⁾	-1.0 – 0	-0.4 – 0.6	0 – 1.0	
		-1.5 – 1 ¹⁾			-0.6 – 0.4		
	-4 – 0	-1.5 – 2.5	0 – 4	-1.6 – 0	-0.6 – 1.0	0 – 1.6	
		-2.5 – 1.5			-1.0 – 0.6		
	-6 – 0	-2 – 4	0 – 6	-2.5 – 0	-1.0 – 1.5	0 – 2.5	
		-4 – 2			-1.5 – 1.0		
	-10 – 0	-4 – 6	0 – 10	-4 – 0	-1.5 – 2.5	0 – 4	
		-6 – 4			-2.5 – 1.5		
	-16 – 0	-6 – 10	0 – 16	-6 – 0	-2 – 4	0 – 6	
		-10 – 6			-4 – 2		
	-25 – 0	-10 – 15	0 – 25	-10 – 0	-4 – 6	0 – 10	
		-15 – 10			-6 – 4		
	-40 – 0	-15 – 25	0 – 40	-16 – 0	-6 – 10	0 – 16	
		-25 – 15			-10 – 6		
	-60 – 0	-20 – 40	0 – 60	-25 – 0	-10 – 15	0 – 25	
		-40 – 20			-15 – 10		
	-100 – 0	-40 – 60	0 – 100	-40 – 0	-15 – 25	0 – 40	
		-60 – 40			-25 – 15		
-160 – 0	-60 – 100	0 – 160	-60 – 0	-20 – 40	0 – 60		
	-100 – 60			-40 – 20			
-250 – 0	-100 – 150	0 – 250	-100 – 0	-40 – 60	0 – 100		
	-150 – 100			-60 – 40			
-400 – 0	-150 – 250	0 – 400	-160 – 0	-60 – 100	0 – 160		
	-250 – 150			-100 – 60			
-600 – 0	-200 – 400	0 – 600	-250 – 0	-100 – 150	0 – 250		
	-400 – 200			-150 – 100			
Process connection:	standard thread	G ½ B (½" BSP)				G ½ B	
	options	½" NPT				½" NPT	
		M 20x1.5				M 20x1.5	
		G ¼ B (¼" BSP)				G ¼ B	
		¼" NPT				¼" NPT	
		M 12x1.5				M 12x1.5	
Options:	see page 4						

e.g. 0 – 60 mbar

Example:

KPChg 80 – 1, 0 – 60 mbar, G ½ B

¹⁾ 180 angular degrees

