

Pressure Gauges for Fire Extinguishing Pumps

PsP 80

according to DIN 14 421
with vertical diaphragm

Standard Version

Information on advantages, application fields, temperature resistance, metrological features and pressure ranges of all available diaphragm pressure gauges with vertical diaphragm can be found in our model overview 4000.

Application

These pressure gauges are designed especially for applications at fire extinguishing pumps and comply with DIN 14421.

Nominal Case Size (NCS)

80 (3")

Accuracy (DIN 14 421/EN 837-3)

Class 2.5

Pressure Ranges (DIN 14 421)

0 – 25 bar or -1 / + 25 bar, zero at 12 o'clock

Maximum Load Limits

Steady load: full scale value
Dynamic load: 90 % of full scale value
Overload: 1.3 x full scale value

Temperature Resistance

Storage temperature: - 40 °C to +70 °C (- 40 °F to +158 °F)
Ambient temperature: - 20 °C to +60 °C (- 4 °F to +140 °F)
Medium temperature: +60 °C max (+140 °F)

Reference Temperature

+20 °C (+68 °F)

Temperature Caused Error

If the operating temperatures of the measuring unit (resilient element and movement) deviate from the reference temperature, additional deviations of the indication could occur. In accordance with EN 837-3 these can be up to ± 0.8% of the span per 10 K.

Protection Type (EN 60 529 / IEC 529)

IP 54

Process Connection

M 20x1.5 centre back connection (rm) brass with restrictor screw Ø 0.6 mm (0.02") connection and lower part brass

Diaphragm

vertical, CuBe

Sealing

O-Ring NBR (nitrile rubber)

Movement

Brass / German silver

Dial

Aluminum white background, scale -1 / 0 bar red, 0 – 25 bar black

Pointer

Aluminum black

Case

Bezel ring, stainless steel polished, screwed to the vertical mounted lower flange of the diaphragm

Window

Acrylic glass



Special Versions Among Others

- Connection thread G ½ B (½" BSP) or ½" NPT, others upon request
- Restrictor screw in the inlet port deviating from Ø 0.6 mm (0.02")
- Lower flange of the diaphragm made of aluminum with restrictor screw Ø 1 x 10 mm (0.04 x 0.39") stainless steel
- Window instrument glass
- Stainless steel case NCS 80 (3"), crimped-on ring, model **PsPChg 80 – 1 rm**, optionally with front flange (**rmFr**) or U-clamp for panel mounting (**rmBFR**)
- Stainless steel case NCS 100 (4"), crimped-on ring, model **PsPChg 100 – 1 rm**
- Case filling glycerin: with crimped-on ring case stainless steel only, for vertical installation only, models **PsPChgG 80 – 1 rm**, **rmFr** or **rmBFR** and **PsPChgG 100 – 1 rm** upon request

Ordering Information

Model and NCS:	PsP 80
Ordering code of the wetted parts:	- 1 (brass)
Code letters of the case configuration:	rm or rmFr (see back of page)
Pressure range:	according to DIN 14 421 0 – 25 bar or -1 / + 25 bar
Process connection:	M 20x1.5 (standard) G ½ B or others see above
Specifics:	(see above)

Examples for ordering information:

- PsP 80 – 1, rmFr, 0 – 25 bar, M 20x1.5
- PsP 80 – 1, rm, -1 / +25 bar, G ½ B



Sales and Export South, West, North

ARMATURENBAU GmbH

Manometerstraße 5 • D – 46487 Wesel-Ginderich
Tel.: +49 2803 9130 – 0 • Fax: +49 2803 1035
armaturenbau.com • mail@armaturenbau.com

Subsidiary Company, Sales and Export East

MANOTHERM Beierfeld GmbH

Am Gewerbepark 9 • D – 08344 Grünhain-Beierfeld
Tel.: +49 3774 58 – 0 • Fax: +49 3774 58 – 545
manotherm.com • mail@manotherm.com

4103

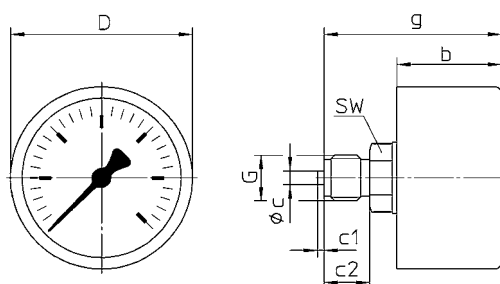
03/16

Case Configurations, Code Letters, Dimensional Data and Weight

Centre Back Connection

without mounting device

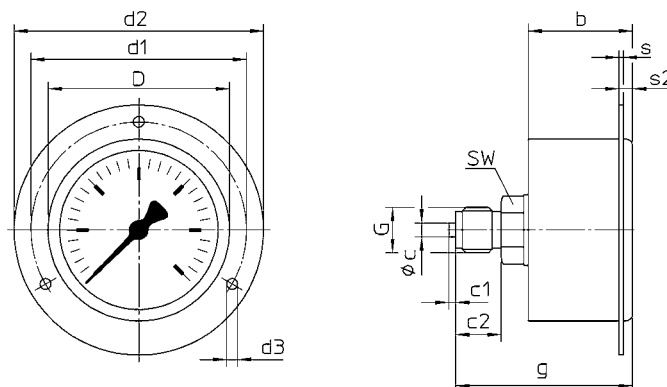
code letters: rm



Centre Back Connection

with front flange for panel mounting

code letters: rmFr



Dimensional Data (mm / inches) and Weight (kg / lb)

NCS	b	c	c1	c2	D	d1	d2	d3	g ¹⁾	G	s	s2	SW	approx. weight ¹⁾
80 3	46 1.81	6 0.24	3 0.12	20 0.79	80 3.15	95 3.74	110 4.33	4.3 0.17	78 3.07	M 20 x 1.5 optionally G ½ B ½" BSP	2 0.08	6 0.24	27 1.06	0.65 1.43

¹⁾ information for version without mounting device