

# Bourdon Tube Pressure Gauge

Caisson gauge

Bayonet ring case stainless steel

RCaiCh

160 – 1

## Application

Measurement of the internal pressure in pressurised chambers, e.g. caissons, living chambers, hyperbaric chambers and decompression chambers at underwater services.

The medium passing into the chamber (usually compressed air) enters the pressure gauge through the openings at the bottom of the case. The pressure acting externally on the Bourdon tube causes an inward motion of the measuring element, which is a measure for the pressure. The movement translates the motion of the measuring element into a clockwise rotation of the pointer.

## Standard Versions

Information on general and metrological features (e.g. load limits/temperature resistance) and standard pressure ranges/scale divisions can be found in model overview 1000.

### Accuracy (DIN EN 837-1)

Class 1.0

### Case

With bayonet ring, stainless steel 304 (1.4301)

### Degree of Protection (DIN EN 60 529/IEC 529)

IP54

### Nominal Case Size

160 mm (6")

### Wetted Parts

Connection: brass  
Bourdon tube: bronze, c-form, soft-soldered socket brass

### Case Configuration

Mounting device: - holding chain stainless steel at the top of the case coverage  
- back flange for surface mounting (Rh)  
- front flange for panel mounting (Fr)

### Pressure Ranges (DIN EN 837-1)

0	–	0.6 bar
0	–	1 bar
0	–	1.6 bar
0	–	2.5 bar
0	–	4 bar
0	–	6 bar
0	–	10 bar
0	–	16 bar

### Process Connection/Pressure Inflow

2 vents at the bottom of the case coverage

### Window

Instrument glass

### Movement

Brass/German silver



### Dial

Aluminum white, scale black

### Pointer

Adjustable pointer with aluminum mechanism for zero adjustment in case of air pressure changes

## Options

- Scale in mWS or other measuring units; fine division scale (with knife edge pointer)
- Window acrylic glass, polycarbonate or laminated safety glass
- $\geq 0 - 2.5$  bar: maximum drag indicator, adjustable externally with removable key, window acrylic glass; optional with non-removable key
- Test gauge version cl. 0.6 DIN EN 837-1
- GOST version for Russia and Kazakhstan

## Special Versions Upon Request

- Other pressure ranges and/or special scales, e.g. dual scale bar/psi, coloured fields or ranges, dial inscriptions, negative scale

## Ordering Information

Please specify in your order:

**Basic model** RCaiCh 160  
**Wetted parts** – 1 brass/bronze  
**Case configuration** holding chain (without code letter) Rh, Fr  
**Pressure range** e.g. 0 – 16 bar  
**Specifics** see above

**Example:** RCaiCh 160 – 1, 0 – 16 bar

[www.armano-messtechnik.com](http://www.armano-messtechnik.com)

**ARMANO**

ARMANO Messtechnik GmbH

### Location Beierfeld

Am Gewerbepark 9 • 08344 Grünhain-Beierfeld  
Tel.: +49 3774 58 – 0 • Fax: +49 3774 58 – 545  
mail@armano-beierfeld.com

### Location Wesel

Manometerstraße 5 • 46487 Wesel-Ginderich  
Tel.: +49 2803 9130 – 0 • Fax: +49 2803 1035  
mail@armano-wesel.com

**1800**

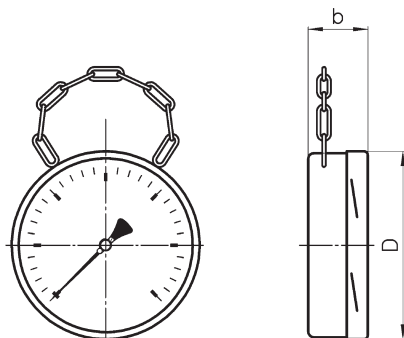
02/22

# Case Configuration, Code Letters, Dimensional Data and Weight

## Process Connection

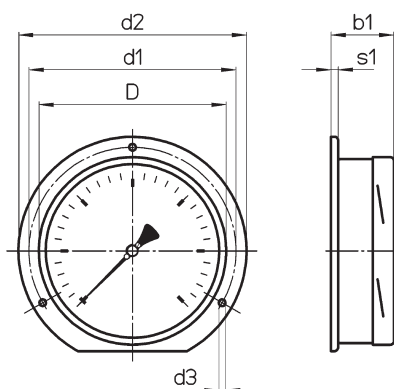
### without mounting device

holding chain  
without code letters



### with back flange for surface mounting

code letters **Rh**

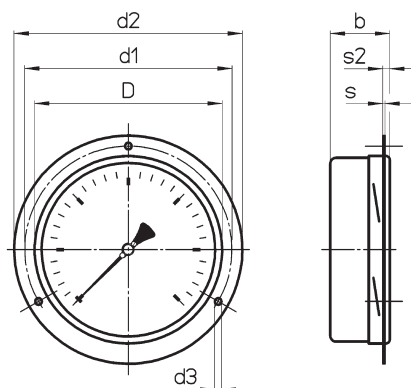


### with front flange for panel mounting

code letters **Fr**

version front flange  
attached front flange (bayonet) with slotted holes  
and removable cover ring

recommended panel cut out  $\varnothing 164 +1 \text{ mm}$  ( $6.46 +0.04''$ )



## Dimensional Data (mm/inch) and Weight (kg/lb)

NCS	D	b	b1	d1	d2	d3	s	s1	s2	approx. weight
160	161	51	54	178	196	5.8	2	6	6	0.9
6"	6.34	2.01	2.13	7.01	7.72	0.23	0.08	0.24	0.24	1.98