

Bourdon Tube Pressure Gauge

RQS

Square case
Narrow rim

Application

Pressure measurement of liquid and gaseous media (within the resistance limits of the wetted parts; media are neither highly viscous nor crystallising), for the installation into switch panels and control panels.

Standard Version

Information on general and metrological features (e.g. load limits/temperature resistance) and standard pressure ranges/scale divisions can be found in model overview 1000.

Accuracy (DIN EN 837-1)
Class 1.0

Case

Square case with front narrow rim,
bracket for panel mounting

Degree of Protection (DIN EN 60 529/IEC 529)
IP43

Nominal Case Sizes

96 (96 x 96 mm) (3.78 x 3.78")
144 (144 x 144 mm) (5.67 x 5.67")

Wetted Parts

| | |
|-----------------------|---|
| Type – 3: connection: | stainless steel 316L (1.4404) |
| Bourdon tube: | stainless steel 316L (1.4404) gas-shielded arc welding ≤40 bar c-form ≥60 bar helical form |
| Type – 1: connection: | brass |
| Bourdon tube: | ≤40 bar bronze, c-form soft-soldered ≥60 bar stainless steel 316L (1.4404) helical form silver brazed |

Case Configuration

| | |
|-----------------------------|---------------------------|
| Connection: | screwed |
| Position of the connection: | lower back connection (r) |

Pressure Ranges (DIN EN 837-1)

0 – 0.6 bar to 0 – 1 000 bar
also vacuum and compound ranges

Process Connection

G ½B

Window

Instrument glass

Movement

Brass/German silver

Dial

Aluminum white, scale black

Pointer

Aluminum black



Ordering Information, Standard Pressure Ranges, Options

See page 3

Further Options

- Connection thread ½" NPT
- Pressure range 0.2 – 1 bar or 3 – 15 psi
- Other than vertical installation, e.g. inclined backwards by 45°
- GOST version for Russia and Kazakhstan

Special Versions Upon Request

- Other connection threads
- Other pressure ranges and/or special scales, e.g. dual scale bar/psi, coloured fields or ranges, dial inscriptions, negative scale
- Wetted parts Monel
- Higher pressure ranges

Accessories

Electrical: see catalogue heading 9.1
see data sheet 1500.90

www.armano-messtechnik.com

ARMANO

ARMANO Messtechnik GmbH

Location Beierfeld
Am Gewerbepark 9 • 08344 Grünhain-Beierfeld
Tel.: +49 3774 58 – 0 • Fax: +49 3774 58 – 545
mail@armano-beierfeld.com

Location Wesel
Manometerstraße 5 • 46487 Wesel-Ginderich
Tel.: +49 2803 9130 – 0 • Fax: +49 2803 1035
mail@armano-wesel.com

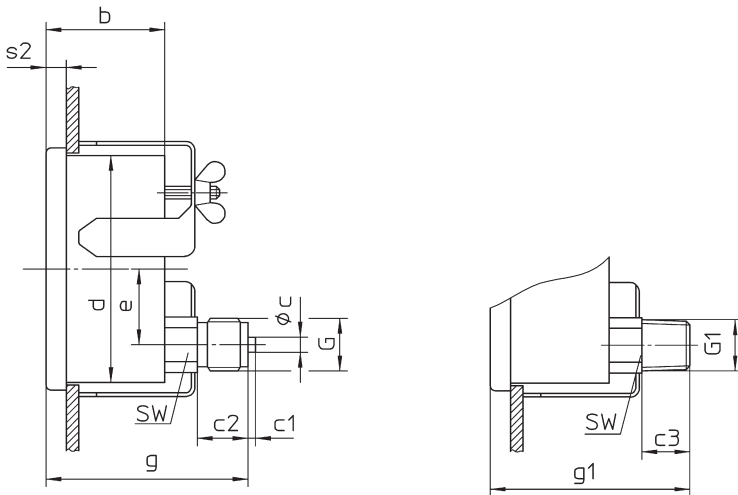
1500

05/21

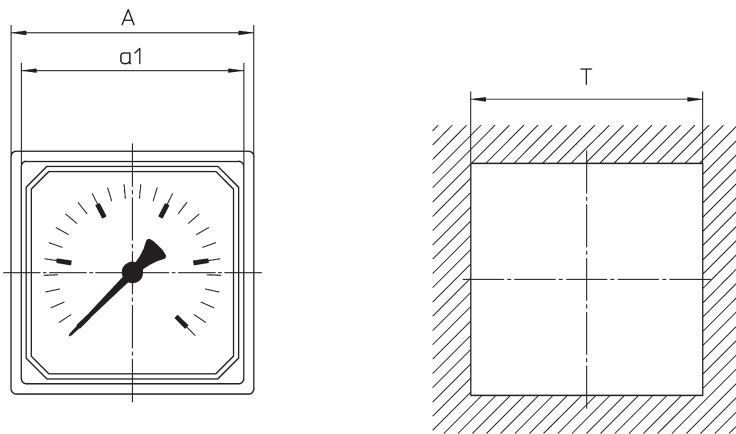
Case Configuration, Dimensional Data and Weight

Lower Back Connection

without mounting device



with u-clamp for switch panel mounting



recommended panel cut out

Dimensional Data (mm/inch) and Weights (kg/lb)

| A (NCS) | a1 | b | c | c1 | c2 | c3 | d | e | G | G1 | g | g1 | s2 ⁺¹ | SW | T | approx. weight |
|------------|------|------|------|------|------|------|------|------|---------|--------|------|------|------------------|------|------|-------------------|
| 96 | 88 | 48 | | | | | 90 | 30 | G ½ B | | | | | | 92 | 0.75 |
| 3.78 | 3.46 | 1.89 | 6 | 3 | 20 | 19 | 3.54 | 1.18 | ½" BSP | ½" NPT | 81 | 80 | 8 | 22 | 3.62 | 1.65 |
| 144 | 134 | 46 | 0.24 | 0.12 | 0.79 | 0.75 | 136 | 52 | M20x1.5 | | 3.19 | 3.15 | 0.31 | 0.87 | 138 | 1.30 |
| 5.67 | 5.28 | 1.81 | | | | | 5.35 | 2.05 | | | | | | | 5.43 | 2.87 |

Ordering Information, Options

| Basic Model: | | Bourdon Tube Pressure Gauge with Square Case | RQS | |
|---------------------|--|---|-------------------------------------|-----------------------|
| Case filling: | without | | without code letters | |
| Nominal case size: | 96x96, 144x144 mm (3.78x3.78, 5.67x5.67") | | 96, 144 | |
| Wetted material: | copper alloy | | - 1 | |
| | stainless steel | | - 3 | |
| Pressure ranges: | -0.6 / 0 bar | | | |
| | -1 / 0 bar | | | |
| | -1 / +0.6 bar | 30" Hg vac. - | 15 psi | |
| | -1 / +1.5 bar | 30" Hg vac. - | 30 psi | |
| | -1 / +3 bar | 30" Hg vac. - | 60 psi | |
| | -1 / +5 bar | 30" Hg vac. - | 100 psi | |
| | -1 / +9 bar | 30" Hg vac. - | 160 psi | |
| | -1 / +15 bar | 30" Hg vac. - | 200 psi | |
| | | 30" Hg vac. - | 300 psi | |
| | 0 - 0.6 bar | 0 - | 10 psi | |
| | 0 - 1 bar | 0 - | 15 psi | |
| | 0 - 1.6 bar | | | |
| | 0 - 2.5 bar | 0 - | 30 psi | |
| | 0 - 4 bar | 0 - | 60 psi | |
| | 0 - 6 bar | 0 - | 100 psi | e.g. 0 - 6 bar |
| | 0 - 10 bar | 0 - | 160 psi | |
| | 0 - 16 bar | 0 - | 200 psi | |
| | | 0 - | 300 psi | |
| | 0 - 25 bar | 0 - | 400 psi | |
| | 0 - 40 bar | 0 - | 600 psi | |
| | 0 - 60 bar | 0 - | 800 psi | |
| | | 0 - | 1 000 psi | |
| | 0 - 100 bar | 0 - | 1 500 psi | |
| | 0 - 160 bar | 0 - | 2 000 psi | |
| | | 0 - | 3 000 psi | |
| | 0 - 250 bar | 0 - | 4 000 psi | |
| | | 0 - | 5 000 psi | |
| | 0 - 400 bar | 0 - | 6 000 psi | |
| 0 - 600 bar | 0 - | 10 000 psi | | |
| 0 - 1 000 bar | 0 - | 15 000 psi | | |
| Process connection: | standard thread | G ½ B | G ½ B | |
| | options | ½" NPT | ½" NPT | |
| | | M20x1.5 | M 20x1.5 | |
| Options: | stationary red pointer movement | on the dial | | |
| | blow-out device | stainless steel for type - 1 (for - 3 standard) Ø 1" (25 mm) in the back of the case | | |
| | restrictor screw in the pressure inlet port, material: like process connection stainless steel or brass | | | |
| Example: | | | RQS 96 - 3, 0 - 6 bar, G ½ B | |