

Bourdon Tube Pressure Gauges

Crimped-on ring case stainless steel

RChg 40 – 3v
RChgG 40 – 3v

Standard Versions

Information on general and metrological features (e.g. load limits/temperature resistance) and standard pressure ranges/scale divisions can be found in model overview 1000.

Accuracy (DIN EN 837-1)

Class 1.6

Class 2.5 for pressure range 0 – 600 bar (0 – 10,000 psi)

Case

With polished crimped-on ring, stainless steel 304 (1.4301)

Degree of Protection (DIN EN 60 529/IEC 529)

IP65

IP54 with cut off blow-out plug no. 19

Blow-out Device

Blow-out plug at the top of the case coverage

Case Ventilation

Via blow-out plug, ventilation required for internal pressure compensation for pressure ranges ≤ 10 bar, and also recommended for other pressure ranges if the operating conditions permit

Case Filling

For model RChgG: glycerin

Nominal Case Size

40 mm (1 1/2")

Wetted Parts

Connection:

stainless steel 316L (1.4404)

Bourdon tube:

stainless steel 316L (1.4404)

gas-shielded arc welding

≤ 100 bar (1,500 psi) c-form

≥ 160 bar (2,000 psi) helical form

Case Configuration

Connection:

welded

Position of the

connection:

- bottom connection

- centre back connection (rm)

- without

Mounting device:

- for centre back connection:

- front flange for panel mounting (rmFr)

- u-clamp for panel mounting (rmBFr)

Pressure Ranges (DIN EN 837-1)

0 – 1 bar to 0 – 600 bar (0 – 15 psi to 0 – 10,000 psi)

Process Connection

1/8" NPT

Window

Instrument glass

Movement

Stainless steel



Dial

Aluminum white, scale black

Pointer

Aluminum black

Safety Category According to DIN EN 837-1

S1 pressure gauges with blow-out device

Ordering Information, Standard Pressure Ranges, Options

See pages 3 and 4

Special Versions and Further Options

- Other process connections upon request
- Other pressure ranges and/or special scales, e.g. dual scale bar/psi, coloured fields or ranges, dial inscriptions, negative scale
- Case parts 316L (1.4404) upon request
- Other case fillings upon request
- Other than vertical installation (90°) only for model RChg
- GOST version for Russia, Ukraine, Kazakhstan, Belarus

Accessories

Chemical seals:

see catalogue heading 7

Other accessory:

see catalogue heading 11



Sales and Export South, West, North

ARMATURENBAU GmbH

Manometerstraße 5 • D – 46487 Wesel-Ginderich
Tel.: +49 2803 9130 – 0 • Fax: +49 2803 1035
www.armaturenbau.com • mail@armaturenbau.com

Subsidiary Company, Sales and Export East

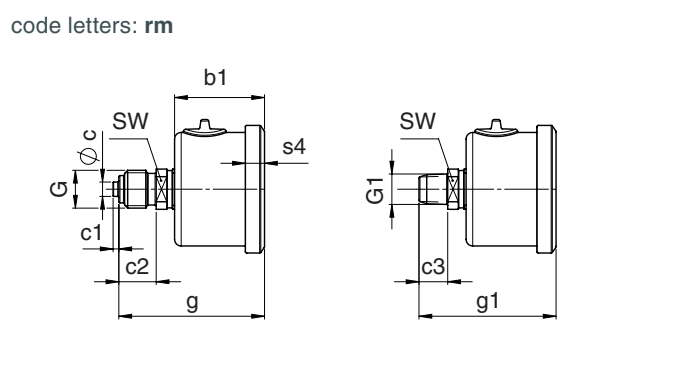
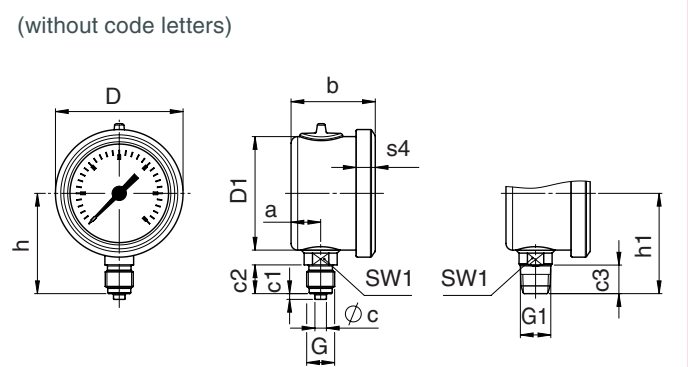
MANOTHERM Beierfeld GmbH

Am Gewerbepark 9 • D – 08344 Grünhain-Beierfeld
Tel.: +49 3774 58 – 0 • Fax: +49 3774 58 – 545
www.manotherm.com • mail@manotherm.com

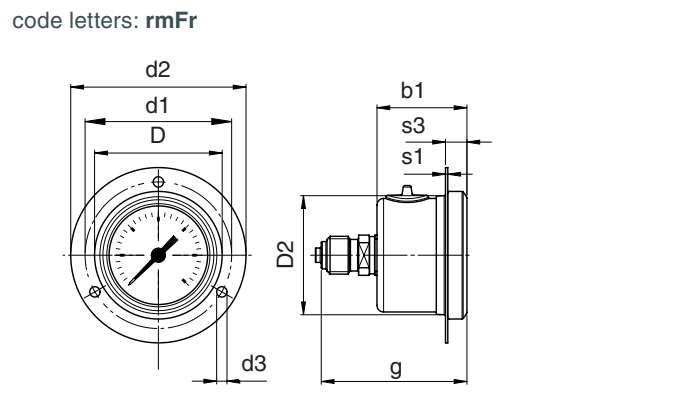
1221
04/18

Case Configurations, Code Letters, Dimensional Data and Weights, Blow-out Device

Bottom Connection	Centre Back Connection
without mounting device	

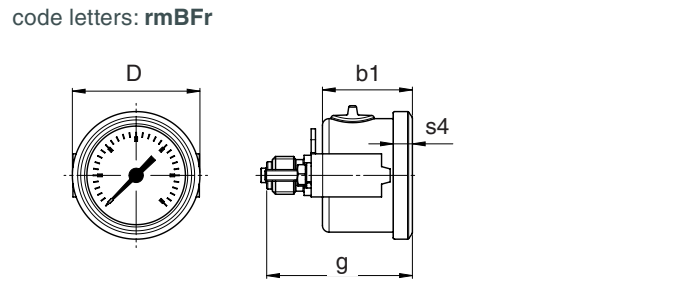


with front flange for panel mounting



recommended panel cut out $\varnothing 42.5 \pm 0.3$ mm (1.67 \pm 0.01")

with u-clamp for panel mounting



recommended panel cut out $\varnothing 41 \pm 0.3$ mm (1.61 \pm 0.01")

Dimensional Data (mm/inch) and Weights (kg/lb)																
--	--	--	--	--	--	--	--	--	--	--	--	--	--	--	--	--

NCS	a	b	b1	c	c1	c2	c3	D	D1	D2	d1	d2	d3	G	G1	g
40 1½"	10.3 0.41	29.5 1.16	31.5 1.24	4 0.16	2 0.08	10 0.39	10 0.39	44.5 1.75	39.5 1.56	41.5 1.63	51 2.01	61 2.4	3.6 0.14	G ½B ½" BSP M10x1	½" NPT	48 1.89

g1	h ^{±1}	h1 ^{±1}	s1	s3	s4	SW	SW1	approx. weight ¹⁾	
								RChg	RChgG
48 1.89	35 1.38	35 1.38	0.8 0.03	7.5 0.3	6.5 0.26	14 0.55	10 0.39	0.08 0.18	0.09 0.2

Blow-out Device



Optional



¹⁾ data for version without mounting device

Ordering Information

Basic Model:		Bourdon Tube Pressure Gauge with Crimped-on Ring Case	RChg
Case filling:	without		without code letters
	glycerin		G
	fillable version		(G)
Nominal case size:	case Ø 40 mm (1½")		40
Wetted material:	stainless steel		- 3
Case configuration:	case/connection	welded	v
	position of the connection	bottom connection	without code letters
		centre back connection	rm
	mounting device	without	without code letters
front flange for panel mounting		Fr	
u-clamp for panel mounting		BFr	
Pressure ranges:	-1200 / 0 mbar	30" hg vac. - 0 psi	
	-1 / 0 bar		
	-1 / +0.6 bar	30" hg vac. - 15 psi	
	-1 / +1.5 bar	30" hg vac. - 30 psi	
	-1 / +3 bar	30" hg vac. - 60 psi	
	-1 / +5 bar	30" hg vac. - 100 psi	
	-1 / +9 bar	30" hg vac. - 160 psi	
	-1 / +15 bar	30" hg vac. - 200 psi	
		30" hg vac. - 300 psi	
	0 - 1 bar	0 - 15 psi	
	0 - 1.6 bar		
	0 - 2.5 bar	0 - 30 psi	
	0 - 4 bar	0 - 60 psi	
	0 - 6 bar	0 - 100 psi	e.g. 0 - 6 bar
	0 - 10 bar	0 - 160 psi	
	0 - 16 bar	0 - 200 psi	
		0 - 300 psi	
	0 - 25 bar	0 - 400 psi	
	0 - 40 bar	0 - 600 psi	
	0 - 60 bar	0 - 800 psi	
		0 - 1,000 psi	
	0 - 100 bar	0 - 1,500 psi	
0 - 160 bar	0 - 2,000 psi		
	0 - 3,000 psi		
0 - 250 bar	0 - 4,000 psi		
	0 - 5,000 psi		
0 - 400 bar	0 - 6,000 psi		
0 - 600 bar	0 - 10,000 psi		
Process connection:	standard thread	1/8" NPT	1/8" NPT
	options	M 10x1	M 10x1
		G 1/8 B	G 1/8 B
		only for centre back connection (rm)	1/4" NPT
		G 1/4 B	G 1/4 B
		M 12x1.5	M 12x1.5
		7/16 - 20 UNF	7/16 - 20 UNF
	7/16" SAE	7/16" SAE	
Options:	see page 4		
Example:	RChg 40 - 3v rmFr, 0 - 6 bar, 1/8" NPT		

