

# BourdonTube Pressure Gauges

Bayonet Ring Case Stainless Steel,  
DW-Line (Double Weld)

RCh ...vDW  
RChG ...vDW

## Standard Versions

Information on general and metrological features (load limits / temperature limitations) and standard pressure ranges / scale divisions can be found in model overview 1000.

### Accuracy (EN 837-1)

Class 1.0

### Case

Bayonet ring, 1.4301 (304 stainless steel)

### Case Protection Type (EN 60 529 / IEC 529)

IP 54

IP 65 for model RChG 100 and

model RChG 160 (pressure ranges  $\geq 2.5$  bar and above)

### Blow-out Device

Model RCh Blow-out plug in the back of the case,  
1" ( $\varnothing$  25mm)

Model RChG 100 Blow-out plug in the back of the case,  
1½" ( $\varnothing$  40mm)

Model RChG 160 Blow-out device at the top of the case coverage

### Case Ventilation

Model RChG 100 without ventilation, but with internal pressure compensation by pressure equalizing membrane.  
Model RChG 160 by blow-out device.

### Case Filling

for model RChG: glycerine

### Nominal Case Size

100, 160 (mm) (4", 6")

### Wetted Parts

Connection: 316 L stainless steel

Bourdon Tube: 316 L stainless steel,  
argon arc welding,  
 $\leq 40$  bar (600 psi) c-form,  
 $\geq 60$  bar (800 psi) helical

### Case Configuration

Connection: welded

Position of the connection: bottom connection,  
optional lower back connection (r)

### Pressure Ranges (EN 837-1)

0-0.6 bar (0-10 psi) to 0-600 bar (0-10,000 psi)

### Process Connection

Connection piece d8 x 5  
for welding at the chemical seal

### Window

Laminated safety glass

### Movement

Stainless steel

### Dial

Aluminum, black figures, white background

### Pointer

Aluminum, black

### Safety Category according to EN 837-1

S1 pressure gauges with blow-out device



## NEW DW-Line (Double Weld)

Pressure gauges RCh/RChG 100/160-3vDW (case / connection piece welded) welded with chemical seal MDM 7...vd8

## Ordering Information, Standard Pressure Ranges, Options:

see pages 3 and 4

## Special Versions and further Options among others

- Other pressure ranges and / or special scales, e.g. double scale bar/psi, coloured fields or areas, dial inscriptions, negative scale etc.
- Stationary red pointer with window made of polycarbonate or laminated safety glass upon request
- Min.- or max.-drag indicator upon request
- Case parts 1.4404 (316 L stainless steel) upon request
- Increased case protection type, e. g. IP 65 without case filling, upon request
- Other case fillings upon request
- Model RChG for ambient temperatures down to  $-40$  °C ( $-40$  °F) upon request
- Position of connection radial at 3 o'clock, 9 o'clock or 12 o'clock (others upon request) or other than vertical installation (90°)
  - for models without case filling and for filled models with pressure equalising membrane
  - for filled models without pressure equalising membrane upon request
- GOST-version for Russia, Ukraine, Kazakhstan

## Accessory:

Chemical seals, sealings,  
process connection pieces: see catalogue-heading 7  
Electrical: limit switch contact assembly  
DS 1291 (NCS 160 upon request)  
and catalogue-heading 9.1



Sales and Export South, West, North

## ARMATURENBau GmbH

Manometerstraße 5 • D-46487 Wesel - Ginderich  
Tel.: +49 (0) 28 03 / 91 30-0 • Fax: +49 (0) 28 03 / 10 35  
armaturenbaum.com • mail@armaturenbaum.com

Subsidiary Company, Sales and Export East

## MANOTHERM Beierfeld GmbH 1201.7

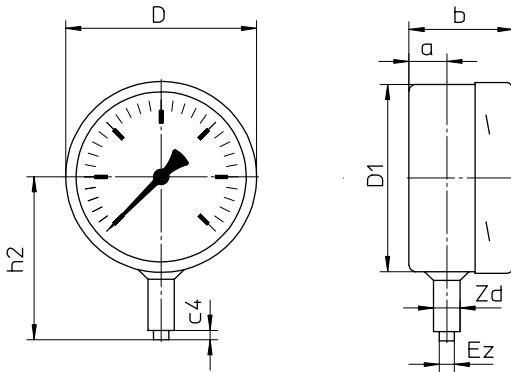
Am Gewerbepark 9 • D-08344 Grünhain-Beierfeld  
Tel.: +49 (0) 37 74 / 58-0 • Fax: +49 (0) 37 74 / 58-545  
manotherm.com • mail@manotherm.com

# Case Configuration, Code Letters, Dimensional Data and Weights, Blow-out Device

## Bottom connection

No mounting device

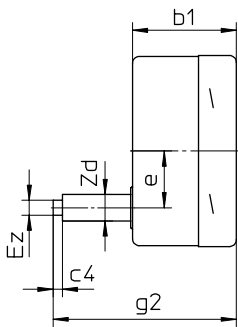
(no additional code letters)



## Lower back connection

No mounting device

code letter: r



## Dimensional data (mm / inches) and weight (kg / lb)

NCS	a	b	b1	c4	D	D1	e	Ez	g2	h2 <sup>+1</sup>	Zd <sup>+0,5</sup>	approx. Weight	
												RCh	RChG
100	20	55	55	5	101	99	30	8	97	86	14	0.45	0.80
4"	.79	2.17	2.17	.20	3.98	3.90	1.18	.31	3.82	3.39	.55	.99	1.76
160	20	55	55	5	161	159	30	8	97	115	14	0.90	1.75
6"	.79	2.17	2.17	.2	6.34	6.26	1.18	.31	3.82	4.53	.55	1.98	3.86

## Blow-out device

Blow-out device for model RChG 160  
 pressure range  $\leq 1.6$  bar blow-out device no.5  
 $\geq 2.5$  bar blow-out device no.3

Blow-out plug

- Ø 1" (25 mm) for model RCh 100, 160
- Ø 1½" (40 mm) for model RChG 100  
 with pressure equalizing membrane

