

# Stop Valves

Ve

Versions according to DIN 16 270, DIN 16 271  
with male test connection and with test flange

## Standard Version

### Nominal Pressure

PN 250 for version made of brass  
PN 400 for version made of alloy steel or  
stainless steel 316Ti (1.4571)

### Body

As pressed part for version made of brass, as drop forged part  
for version made of alloy steel and stainless steel 316Ti (1.4571)

### Surface

For alloy steel black-oxide finished

### Spindle Thread

Internal

### Burnished Valve Spindle

With movable rolled-in valve cone

Version	Brass	Alloy steel	Stainless steel
Component	material (material no. according to DIN)		
Body	brass	1.0460	1.4571
Valve spindle	1.4104		
Valve cone	1.4034 hardened		PTFE
Packing	PTFE	graphite	
Union nut	alloy steel		1.4571
Clamping sleeve			
Turnable bushing	brass	alloy steel	
Vent screw	1.4104		1.4571
Hand wheel	plastic		
Temperature ranges	-10 / +120 °C (14 - 248 °F)		-40 / +200 °C (-40 / +392 °F)



## Special Versions and Further Options

- Special packing for temperatures up to +250 °C (+482 °F) (not for test flange)
- For brass and stainless steel version: free of grease and oil
- Material certificate according to EN 10 204/3.1. B for the body
- Stop valves similar to DIN 16 270, but with DVGW approval, PN 100, temperature range -10 °C to +70 °C (14 °F to 158 °F), sealing Perbunan, with sealing holder brass or stainless steel 316Ti (1.4571), clamping sleeve for brass version made of brass, DVGW testing based on DIN 3537 part 1, for all gases according to DVGW worksheet G 260 (not for test flange)
- Version brass, G ½ B, but for temperature range -20 °C to +120 °C (-4 / +248 °F), clamping sleeve G ½ brass, union nut brass
- Others upon request
- Stop valves with separately lockable test connection according to DIN 16 272

[www.armano-messtechnik.com](http://www.armano-messtechnik.com)

**ARMANO**

ARMANO Messtechnik GmbH

Location Beierfeld  
Am Gewerbepark 9 • 08344 Grünhain-Beierfeld  
Tel.: +49 3774 58 - 0 • Fax: +49 3774 58 - 545  
mail@armano-beierfeld.com

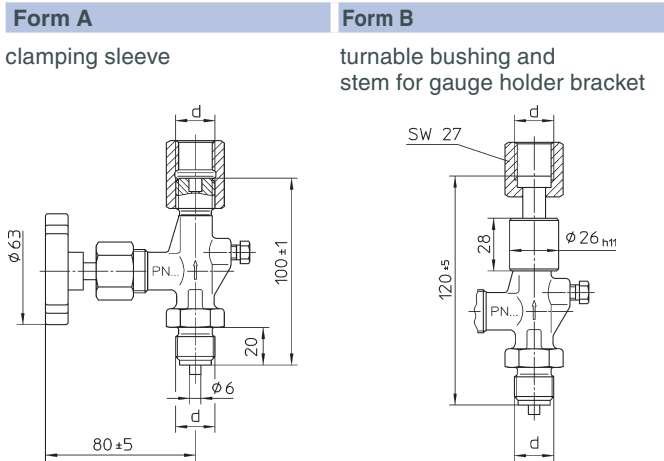
Location Wesel  
Manometerstraße 5 • 46487 Wesel-Ginderich  
Tel.: +49 2803 9130 - 0 • Fax: +49 2803 1035  
mail@armano-wesel.com

**11200**

10/18

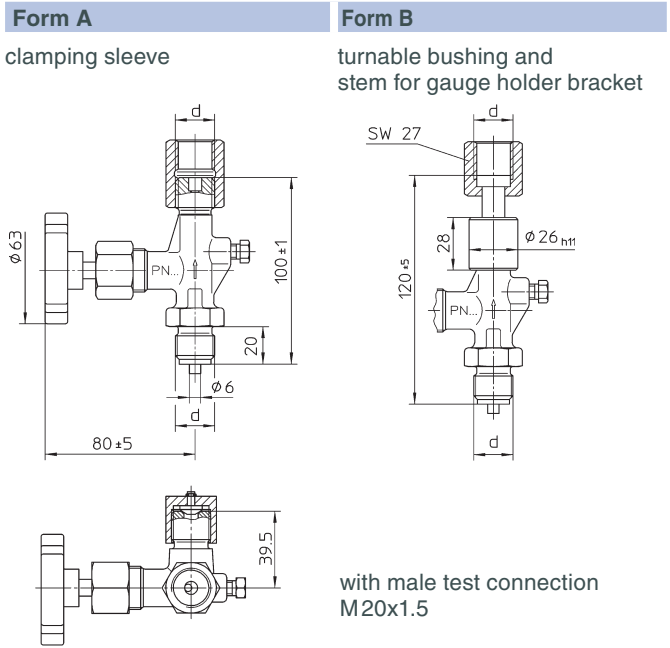
# Dimensional Data (mm)

## Version According to DIN 16 270

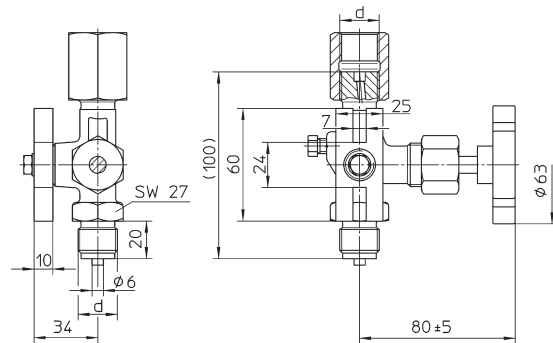


Material	Brass	Alloy steel	Stainless steel
Version	DIN 16 270 form A		
Connections d	male G 1/2 B – clamping sleeve G 1/2		
Order no.	Z-021001	Z-022001	Z-023001
Connections d	male M20x1.5 – clamping sleeve M20x1.5		
Order no.	021021	022021	023021
Version	DIN 16 270 form B		
	with stem for gauge holder bracket		
Connections d	male G 1/2 B – turnable bushing G 1/2		
Order no.	021011	022011	023011

## Version According to DIN 16 271 with Male Test Connection



## Version Similar to DIN 16 271 with Test Flange 60x25x10 mm



- Test flange, according to the valve version made of brass, alloy steel or stainless steel 316Ti (1.4571)
- Screw plug for brass and alloy steel version made of alloy steel, for stainless steel version made of stainless steel 316Ti (1.4571)

Material	Brass	Alloy steel	Stainless steel
Version	DIN 16 271 Form A		
	with male test connection M 20x1.5		
Connections d	male G 1/2 B – clamping sleeve G 1/2		
Order no.	Z-021003	Z-022003	Z-023003
Connections d	male M20x1.5 – clamping sleeve M20x1.5		
Order no.	021023	022023	023023
Version	DIN 16 271 Form B		
	with stem for gauge holder bracket, with male test connection M 20x1.5		
Connections d	male G 1/2 B – turnable bushing G 1/2		
Order no.	021013	022013	023013
Version	similar EN 16 271		
	with test flange 60 x 25 x 10 mm		
Connections d	male G 1/2 B – clamping sleeve G 1/2		
Order no.	021002	022002	023002