

Bourdon Tube Pressure Gauge

Crimped-on ring case stainless steel, glycerin filling

RgG

63 – 1

Application

Bourdon tube pressure gauge models RgG are suitable for the measurement of positive and negative overpressure of liquid or gaseous media, which are not highly viscous and do not tend to crystallize.

Standard Versions

Information on general and metrological features (e.g. load limits/temperature resistance) and standard pressure ranges/scale divisions can be found in model overview 1000.

Accuracy (DIN EN 837-1)

Class 1.6

Case

With polished crimped-on ring, stainless steel 304 (1.4301)

Degree of Protection (DIN EN 60 529/IEC 529)

IP65

Case Filling

Glycerin

Nominal Case Size

63 mm (2½")

Wetted Parts

Connection:	brass
Bourdon tube:	bronze
	≤40 bar c-form, soft-soldered
	≥60 bar helical form silver brazed

Case Configuration

Connection:	screwed
Position of the connection:	- bottom connection - centre back connection (rm)
Mounting device:	- without - for centre back connection: - front flange for panel mounting (rmFr) - u-clamp for panel mounting (rmBFr)

Pressure Ranges (DIN EN 837-1)

0 – 1 bar to 0 – 600 bar
also vacuum and compound measuring ranges

Process Connection

G ¼ B (¼" BSP)

Window

Polycarbonate



Movement

Brass/German silver

Dial

Aluminum white, scale black

Pointer

Aluminum black

Ordering Information, Standard Pressure Ranges, Options

See page 3

Special Versions and Further Options

Other process connections upon request

Accessories

See catalogue heading 11



Sales and Export South, West, North

ARMATURENBAU GmbH

Manometerstraße 5 • D – 46487 Wesel-Ginderich
Tel.: +49 2803 9130 – 0 • Fax: +49 2803 1035
www.armaturenbau.com • mail@armaturenbau.com

Subsidiary Company, Sales and Export East

MANOTHERM Beierfeld GmbH

Am Gewerbepark 9 • D – 08344 Grünhain-Beierfeld
Tel.: +49 3774 58 – 0 • Fax: +49 3774 58 – 545
www.manotherm.com • mail@manotherm.com

1112

09/17

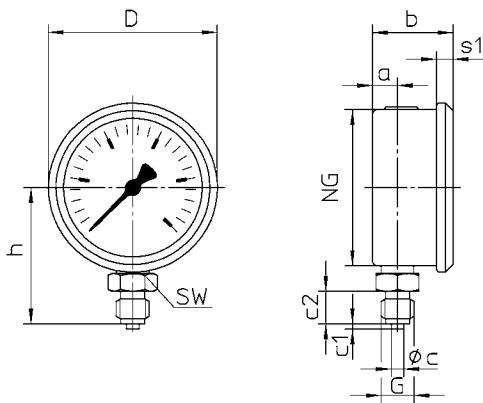
Case Configurations, Code Letters, Dimensional Data and Weight

Bottom Connection

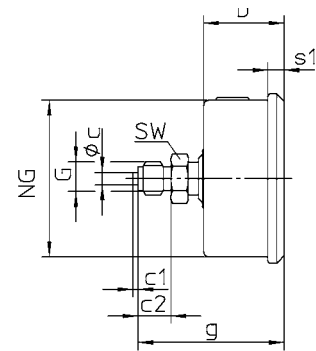
Centre Back Connection

without mounting device

(without code letters)

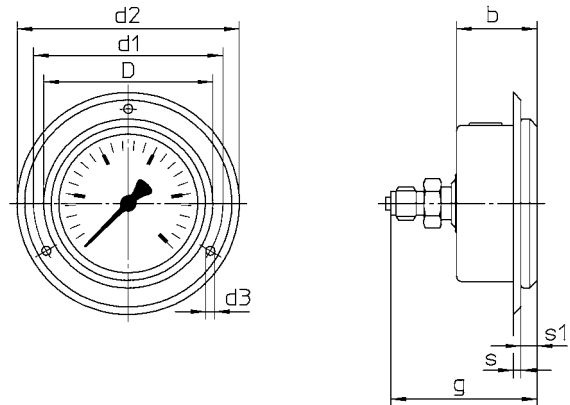


code letters: rm



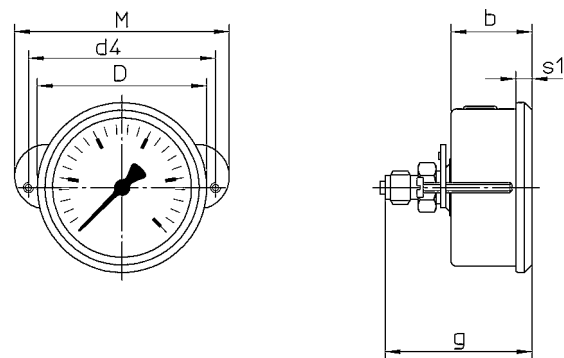
with front flange for panel mounting

code letters: rmFr



with u-clamp for panel mounting

code letters: rmBFr



Dimensional Data (mm/inch) and Weight (kg/lb)

NCS	a	b	c	c1	c2	d1	d2	d3	d4	D	G	g	h ^{±1}	M	s	s1	SW	approx. weight
63	10	32	5	2	13	75	88	3.6	74	67	G 1/4 B	58	54	85	3	6.5	17	0.25
2 1/2"	0.39	1.26	0.2	0.08	0.51	2.95	3.46	0.14	2.91	2.64	1/4" BSP	2.28	2.13	3.35	0.12	0.26	0.67	0.55

Ordering Information with Standard Pressure Ranges, Options

Basic Model:		Bourdon Tube Pressure Gauge with Crimped-on Ring Case	RgG
Case filling:	glycerin		G
Nominal case size:	case Ø 63 mm (2½")		63
Wetted material:	copper alloy		- 1
Case configuration:	case/connection	screwed	without code letters
	position of the connection	bottom connection	without code letters
		centre back connection	rm
	mounting device	without	without code letters
		front flange for panel mounting	Fr
		u-clamp for panel mounting	BFr
Pressure ranges:	-1 / 0 bar		
	-1 / +0.6 bar		
	-1 / +1.5 bar		
	-1 / +3 bar		
	-1 / +5 bar		
	-1 / +9 bar		
	-1 / +15 bar		
	0 - 1 bar		
	0 - 1.6 bar		
	0 - 2.5 bar		
	0 - 4 bar		
	0 - 6 bar		e.g. 0 - 6 bar
	0 - 10 bar		
	0 - 16 bar		
	0 - 25 bar		
	0 - 40 bar		
	0 - 60 bar		
	0 - 100 bar		
	0 - 160 bar		
	0 - 250 bar		
	0 - 400 bar		
	0 - 600 bar		
Process connection:	standard thread	G¼B	G¼B

Example: RgG 63 - 1 rmFr, 0 - 6 bar, G¼B