

Bourdon Tube Pressure Gauge

Steel case with snap-in window

RE
63 – 1

Application

Bourdon tube pressure gauge models RE are suitable for the measurement of positive and negative overpressure of liquid or gaseous media that do not corrode brass/copper alloys.

Standard Versions

Information on general and metrological features (e.g. load limits/temperature resistance) and standard pressure ranges/scale divisions can be found in model overview 1000.

Accuracy (DIN EN 837-1)

Class 1.6

Class 2.5 for pressure range –0.6 / 0 bar, 0 – 0.6 bar, 0 – 600 bar

Case

Sheet steel black

Nominal Case Size

63 mm (2 1/2")

Wetted Parts

Connection: brass
Bourdon tube: bronze, soft-soldered
≤40 bar c-form
≥60 bar helical form

Case Configuration

Connection: screwed
Position of the connection:
- bottom connection
- centre back connection (rm)
Mounting device:
- without
- for centre back connection:
- front flange for panel mounting (rmFr)

Pressure Ranges (DIN EN 837-1)

0 – 0.6 bar to 0 – 600 bar

also vacuum and compound measuring ranges

Process Connection

G 1/4 B (1/4" BSP)

Window

Polycarbonate, snap-in

Movement

Brass

Dial

Aluminum white, scale black

Pointer

Aluminum black



Ordering Information, Standard Pressure Ranges, Options

See page 3

Special Versions and Further Options

For larger quantities upon request

Accessories

See catalogue heading 11



Sales and Export South, West, North

ARMATURENBAU GmbH

Manometerstraße 5 • D – 46487 Wesel-Ginderich
Tel.: +49 2803 9130 – 0 • Fax: +49 2803 1035
www.armaturenbau.com • mail@armaturenbau.com

Subsidiary Company, Sales and Export East

MANOTHERM Beierfeld GmbH

Am Gewerbepark 9 • D – 08344 Grünhain-Beierfeld
Tel.: +49 3774 58 – 0 • Fax: +49 3774 58 – 545
www.manotherm.com • mail@manotherm.com

1110
09/17

Case Configurations, Code Letters, Dimensional Data and Weight

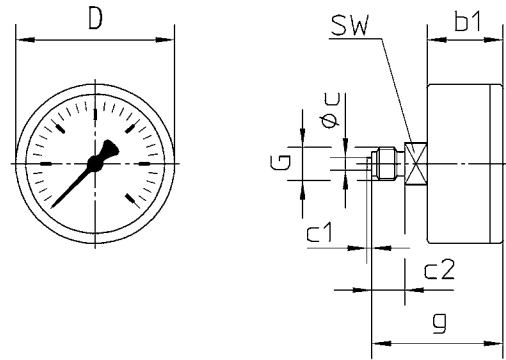
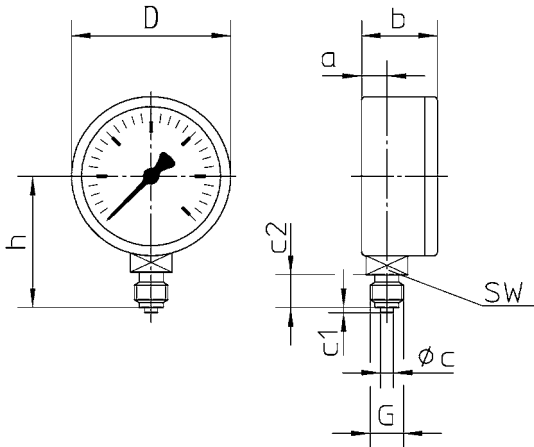
Bottom Connection

Centre Back Connection

without mounting device

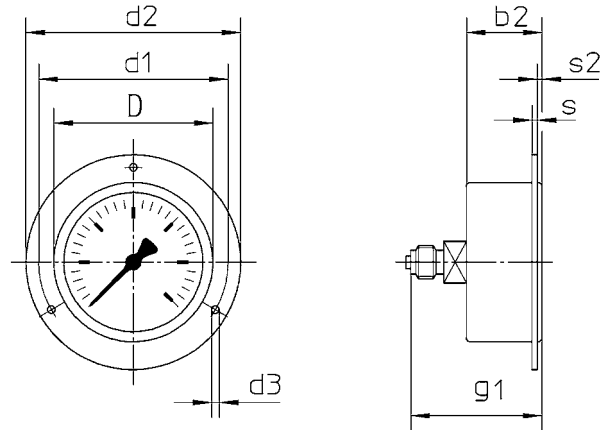
(without code letters)

code letters: rm



with front flange for panel mounting

code letters: rmFr



Dimensional Data (mm/inch) and Weight (kg/lb)

NCS	a±0.5	b±0.5	b1±0.5	b2±0.5	c	c1	c2	D	d1	d2	d3	g±0.5	g1	G	h±1	s	s2	SW	approx. weight
63 2 1/2"	10.5 0.41	30 1.18	31 1.22	32 1.26	5 0.2	2 0.08	13 0.51	62 2.44	75 2.95	85 3.35	3.6 0.14	52 2.05	53 2.09	G 1/4 B 1/4" BSP	52.5 2.07	2 0.08	1.5 0.06	14 0.55	0.13 0.29

Ordering Information with Standard Pressure Ranges, Options

Basic Model:		Bourdon Tube Pressure Gauge	RE
Case filling:	without		without code letters
Nominal case size:	case Ø 63 mm (2½")		63
Wetted material:	copper alloy		- 1
Case configuration:	case/connection	screwed	without code letters
	position of the connection	bottom connection	without code letters
		centre back connection	rm
	mounting device	without	without code letters
		front flange for panel mounting	Fr
Pressure ranges:	-0.6 / 0 bar		
	-1 / 0 bar		
	-1 / +0.6 bar		
	-1 / +1.5 bar		
	-1 / +3 bar		
	-1 / +5 bar		
	-1 / +9 bar		
	-1 / +15 bar		
	0 - 0.6 bar		
	0 - 1 bar		
	0 - 1.6 bar		
	0 - 2.5 bar		
	0 - 4 bar		
	0 - 6 bar		e.g. 0 - 6 bar
	0 - 10 bar		
	0 - 16 bar		
	0 - 25 bar		
	0 - 40 bar		
	0 - 60 bar		
	0 - 100 bar		
	0 - 160 bar		
	0 - 250 bar		
	0 - 400 bar		
	0 - 600 bar		
Process connection:	standard thread	G¼B	G¼B

Example: RE 63 - 1 rm, 0 - 6 bar, G¼B