

Dead Weight Testers

Hydraulic version

Pressure ranges 10 – 600 bar and 10 – 1000 bar

PD 600
PD 1000

barotec[®]
KALIBRIERTECHNIK

Application

- High-precision primary standard (comparison standard)
- Reference device for calibration services, gauging offices and laboratories
- Suitable for testing, adjusting and calibrating pressure measuring instruments without using an external reference device

Construction

The main components are measuring system, valve units, spindle unit for fine adjustment of the pressure and set of weights. The measuring system consists of a fine lapped piston/cylinder pair. The weight-loaded piston is pressed down by the local gravitation of the weights. From below the test pressure, which is generated and adjusted by the spindle pump, acts towards the piston surface area. This test pressure is increased until the hydraulic force of the medium on the piston surface area (acting from below) compensates the weight force of the piston/weight system and the equilibrium of forces is reached. During this state of equilibrium, the piston floats freely in the cylinder.

In order to simplify the handling, the weights are already standardised to the specific determined piston surface area and the local gravitation at the installation site. The set of weights is available discreetly graduated in different pressure units (bar, Pa, psi).

Piston and weights are kept rotating with a motor while floating in order to minimise the influence of static friction of piston and cylinder and therefore to guarantee a sensitive discrimination threshold.

The dead weight testers described herein operate in a range from 10 to 600 bar or 10 to 1000 bar, depending on the model.

Specialties

Due to the high accuracy of the dead weight tester, the influence of the gravitational acceleration is not negligible. A requirement for an official verification is the calibration of the dead weight tester with the gravitational acceleration at the installation site. Thus, this value needs to be specified when placing the order. A calibration for the installation site is recommended without official verification as well.

Without specification of the gravitational acceleration, the dead weight tester is calibrated with the value at the manufacturing site ($g_{\text{Hst}} = 9.80968 \text{ m/s}^2$). Then, the measuring values need to be converted at the installation site for the compliance with the accuracy class.

Standard Version

Set of Weights

In bar/MPa

Pressure Range	PD 600	PD 1000
Basic load	10 bar	10 bar
Main measuring range	60 – 600 bar	60 – 1000 bar
Required admission pressure air	6 bar	6 bar

Reference Condition for the Guaranteed Accuracy

Ambient temperature +20 °C ±2 °C (+68 °F ±3.6 °F)



Accuracy (factory calibration)

Class 0.05
Class 0.02

Medium

Special oil

Lubrication

Special oil

Nominal Piston Cross-section

0.05 cm²

Rotation of the Weights

By electric drive (230 – 240 V AC/50 Hz/3 W)

Connection

Male G ½ LH with clamping sleeve on G ½ right or M20x1.5 right, incl. double sealing

Connection for External Compressed Air

Plug connection (Prestolock) for PA hose N4x1, with adapter for N6x1

Case

Aluminum case, grey enamelled (self-supporting cover), 3 adjustable feet for precise horizontal alignment according to integrated circular level

Case Dimensions incl. Star Handle (L x W x H)

PD 600 490 x 480 x 330 mm (19.29 x 18.9 x 12.99")
PD 1000 490 x 480 x 400 mm (19.29 x 18.9 x 15.75")

Approx. Weight

	PD 600	PD 1000
Dead weight tester	34 kg (74.96 lb)	36 kg (79.37 lb)
Set of weights	36 kg (79.37 lb)	56 kg (123.46 lb)
Device packaging	21 kg (46.3 lb)	21 kg (46.3 lb)
Transport case set of weights	9.2 kg (20.28 lb)	9.2 kg (20.28 lb)

www.armano-messtechnik.com

ARMANO

ARMANO Messtechnik GmbH

Location Beierfeld

Am Gewerbepark 9 • 08344 Grünhain-Beierfeld
Tel.: +49 3774 58 – 0 • Fax: +49 3774 58 – 545
mail@armano-beierfeld.com

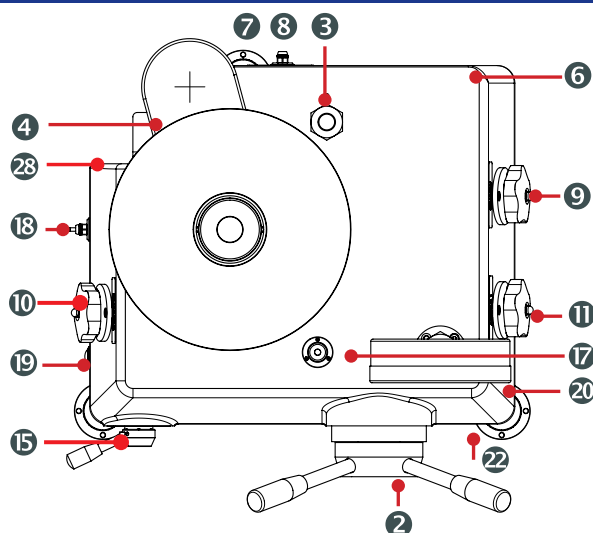
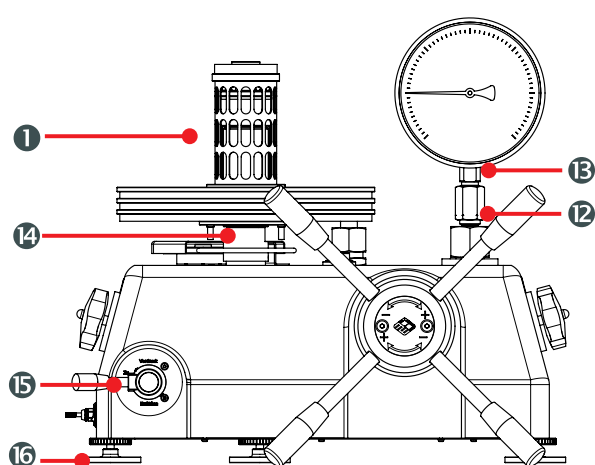
Location Wesel

Manometerstraße 5 • 46487 Wesel-Ginderich
Tel.: +49 2803 9130 – 0 • Fax: +49 2803 1035
mail@armano-wesel.com

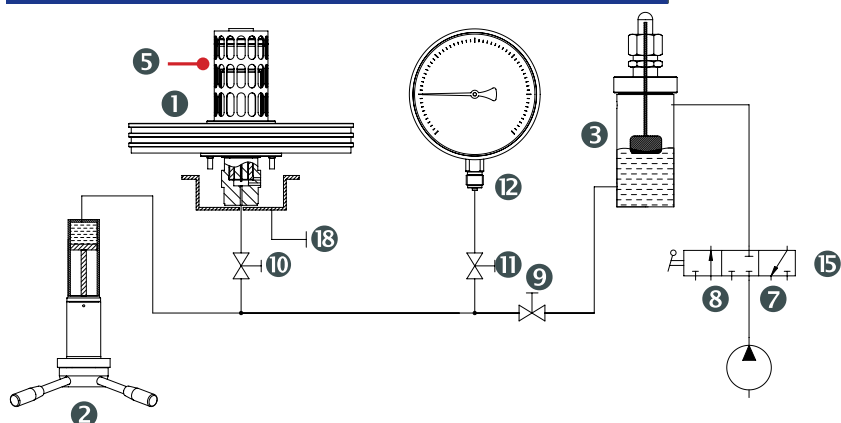
10316

03/22

Technical Drawings



Schematic Drawing



- | | | | | | |
|---|---|----|---|----|--|
| 1 | Measuring system | 10 | Stop valve "Measuring system/ Messsystem" | 16 | Adjustable feet |
| 2 | Spindle pump with star handle | 11 | Stop valve "Test connection/ Prüfanschluss" | 17 | Circular level |
| 3 | Oil reservoir (medium) | 12 | Test connection | 18 | "Oil drain/ Ölablass" (overflow of the system) |
| 4 | Electric drive | 13 | Clamping sleeve (AF 27) | 19 | Switch electric drive |
| 5 | Reading device (mirror) | 14 | Base plate (basic load) | 20 | Calibration plate (for accredited calibration) |
| 6 | Case | 15 | Change-over valve for external admission pressure ("Admission pressure/ Vordruck", "Closed/ Zu", "Vent/ Entlüften") | 22 | Nameplate |
| 7 | "Connection admission pressure/ Anschluss Vordruck" | | | 28 | C14 inlet |
| 8 | "Ventilation admission pressure/ Entlüftung Vordruck" | | | | |
| 9 | Valve "Pressure compensation/ Druckausgleich" | | | | |

Special Versions and Options

- Set of weights in kp/cm², psi; others upon request
- Adapters for other connection threads upon request
- Inspection certificate 3.1 according to DIN EN 10 204 on the indication accuracy
- Accredited calibration or DKD approval*
- Higher accuracy class 0.015 upon request
- Hose N4x1 for Prestolock

Scope of Delivery

The delivery includes – in addition to the dead weight tester and the set of weights in a transport case:

- 1 operating instruction
- 1 l special oil (medium, lubricant)
- 1 protective cover
- 1 clamping sleeve G ½ (mounted)
- 1 clamping sleeve M20x1.5
- 1 special gasket for test item, with 2 encased O-rings
- 4 O-rings as spare parts
- 2 adapters for N6x1 (admission pressure connection)
- 1 plug for oil drain (mounted)
- 1 mains cable

* see section Specialties

Ordering Information

Please specify in your order:

Basic model PD 1000
Options see options

Example: PD 1000
class 0.02
adapter ½" NPT
gravity acceleration at the installation site
inspection certificate 3.1