

Digital Precision Pressure Gauge

Pressure range up to 1000 bar

D2

Applications

- Calibration / testing technology
- Plant construction and engineering
- Pneumatics / hydraulics
- General measuring technology

Description

The digital pressure gauge D2 is a battery-supplied on-site display with integrated display of actual and MIN/MAX values for the indication of pressure and pressure peaks.

Due to an accuracy of $\pm 0.1\%$ and an excellent long-term stability, this instrument, combined with a comparison pump (models BHP 40 and BHP 700 see data sheets 10111 and 10112), is an ideal pressure reference for on-site calibrations.

Especially the robust case made of zinc casting with the removable rubber protection cap is proven in practice.

Technical Data

Measuring Range Input

Piezoresistive pressure measuring cell: $-1 / 3$ bar
DMS pressure measuring cell: $-1 / 40$ bar to $0 - 1000$ bar

Accuracy (25 °C)

$0.1\% \text{ FS} \pm 1$ Digit

Sample Rate

10 ms

Internal Resolution AD Converter

12 bit = 4,096 steps

Temperature Influence

$0.05\% \text{ FS} / 10 \text{ K}$

LC Display

Actual value 4 ½ digit (15 mm)
MIN/MAX or FullScale (FS) 4 ½ digit (8 mm)
Bargraph 33 segments (drag indicator function)
→ sample rate: 50 ms (20 measurements/s)

Background Lighting

50 x 34 mm

Pressure Units

bar, psi, kPa, MPa, kg/cm², mH₂O

Power Supply

Battery: 2 x 1.5 V DC AA (LR6-AA),
Alkaline (Mignon)

Battery Life

1,500 h (without lighting)

Protection Type (DIN EN 60 529)

IP 67



Ambient Conditions and Process Factors

Operating temperature 0 °C to +50 °C (+32 °F to +122 °F)
Fluid temperature -20 °C to +80 °C (-4 °F to +176 °F)
Storage temperature -20 °C to +60 °C (-4 °F to +140 °F)
Relative humidity < 85 %
Vibration IEC 60068-2-6 / 10 – 500 Hz / 5 g
Shock IEC 60068-2-29 / 11 ms / 25 g

Pressure Connection

Material stainless steel 1.4404
Connection thread G ¼ B (ISO 1179-2)
Sealing NBR

Case

Material zinc casting,
(rubber protection cap: TPE)
Dimensions Ø = 79 mm, T = 33 mm
Weight 540 g

Measuring Ranges

see table below

Pressure Range	Reference D2	
	Accuracy (full scale)	Resolution
-1... 3 bar	$\pm 0.1\%$	1 mbar
-1... 40 bar	$\pm 0.1\%$	10 mbar
-1... 60 bar	$\pm 0.1\%$	10 mbar
0... 400 bar	$\pm 0.1\%$	100 mbar
0... 700 bar	$\pm 0.1\%$	100 mbar
0...1000 bar	$\pm 0.1\%$	100 mbar

Ordering Information

Please state in your order:

Basic model D2
Pressure range e.g. $-1 / +40$ bar



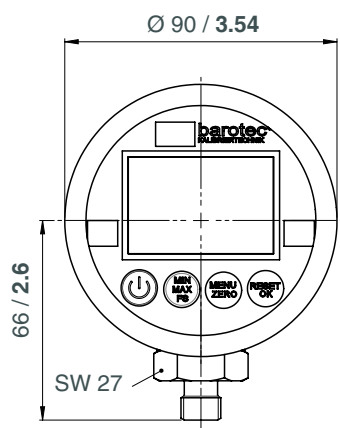
Sales and Export South, West, North
ARMATURENBAU GmbH
Manometerstraße 5 • D – 46487 Wesel-Ginderich
Tel.: +49 2803 9130 – 0 • Fax: +49 2803 1035
www.armaturenbau.com • mail@armaturenbau.com

Subsidiary Company, Sales and Export East
MANOTHERM Beierfeld GmbH 10221
Am Gewerbepark 9 • D – 08344 Grünhain-Beierfeld
Tel.: +49 3774 58 – 0 • Fax: +49 3774 58 – 545
www.manotherm.com • mail@manotherm.com

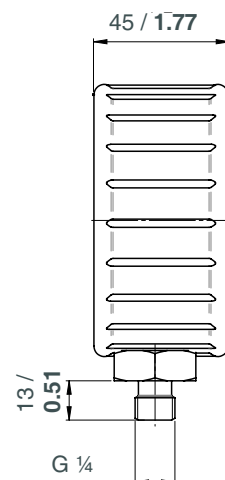
Technical Data, Dimensional Data in mm / inch, Options, Scope of Delivery

Dimensional Data in mm / inch

Front view (with rubber protection cap)



Lateral view (with rubber protection cap)



Scope of Delivery

- 1 x D2 according to the ordering information
- Operating instruction