

# Comparison Pump

Hydraulic version in a case  
Pressure range 0 – 2500 bar

PS 2500-G

## Application

The comparison pump model PS 2500-G is a pressure generator and used for comparative measurements. It is suitable for testing and adjusting pressure measuring devices.

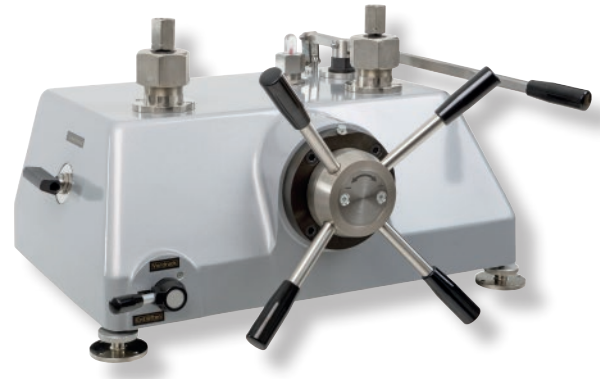
The model is applicable for pressure ranges from 0 to 2500 bar. Acid-free, thin oil is used as medium.

The spindle pump with star handle and the additional hand pump serve to generate the pressure. An external compressed air supply of max. 10 bar is required for the admission pressure.

The test item is compared to a pressure measuring device with higher accuracy (e.g. Overview 2000 Test Gauges, Overview 10000 Calibration Technology).

Comparison pumps in a case are suited for continuous operations, e.g. in test shops. Additionally, the instrument connections are provided with filters to avoid contamination of the pump pipe system (see schematic drawing, page 2).

**barotec**<sup>®</sup>  
KALIBRIERTECHNIK



## Standard Version

### Construction Type

Case version

### Medium

Special oil

### Pressure Ranges

$p_{\min}$ (operating volume $\leq 0.1$ litre)	0 bar
$p_{\max}$ (operating volume $\leq 0.1$ litre)	2500 bar
Required admission pressure	6 bar

### Connection

2 connections male G  $\frac{1}{2}$  LH, each with 2 clamping sleeves on G  $\frac{1}{2}$  right or M20x1.5 right, incl. double sealing

### Connection for External Compressed Air Supply

Plug connection (Prestolock) for PA hose N4x1 and an adapter for hose N6x1

### Case

All parts mounted in an aluminum case, grey enamelled (self-supporting cover), 3 adjustable feet

### Case Dimensions (L x W x H)

700 x 560 x 310 mm (27.56 x 22.05 x 12.2")

### Piston and Cylinder

Hardened steel

### Spindle Nut

Steel

### Weight

Approx. 45 kg (99.21 lb)

### Temperature Range

15 °C to 35 °C (59 °F to 95 °F)

## Special Versions and Options

- Hose N4x1 for Prestolock
- Adapter from hose 4x1 to  $\frac{1}{4}$ " NPT male
- Air drive liquid pump up to max. 1000 bar (instead of hand pump)

## Scope of Delivery

The delivery includes – in addition to the comparison pump:

- 1 operating instruction
- 1 l special oil
- 2 special gaskets for connections, with 2 encased O-rings (mounted)
- 4 O-rings as spare parts
- 2 clamping sleeves G  $\frac{1}{2}$  (mounted)
- 2 clamping sleeves M20x1.5
- 2 adapters for N6x1 (admission pressure connection)

## Ordering Information

Please specify in your order:

**Basic model** PS 2500-G (0 – 2500 bar)  
**Options** see above

**Example:** PS 2500-G  
PS 2500-G with adapter from hose 4x1 to  $\frac{1}{4}$ " NPT

**ARMANO**

ARMANO Messtechnik GmbH

### Location Beierfeld

Am Gewerbepark 9 • 08344 Grünhain-Beierfeld  
Tel.: +49 3774 58 – 0 • Fax: +49 3774 58 – 545  
mail@armano-beierfeld.com

### Location Wesel

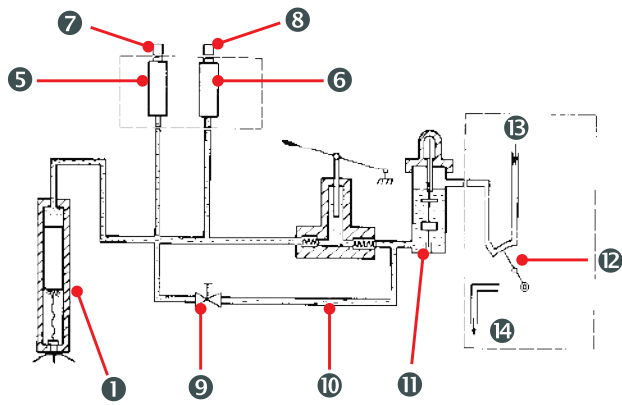
Manometerstraße 5 • 46487 Wesel-Ginderich  
Tel.: +49 2803 9130 – 0 • Fax: +49 2803 1035  
mail@armano-wesel.com

[www.armano-messtechnik.com](http://www.armano-messtechnik.com)

10157

02/19

## Schematic Drawing



- ① Spindle pump with cylinder, piston, spindle and star handle
- ⑤ Filter
- ⑥ Filter
- ⑦ Connection for reference device
- ⑧ Connection for test item
- ⑨ Valve "Pressure compensation/ Druckausgleich"
- ⑩ Hand pump
- ⑪ Reservoir for the medium
- ⑫ Change-over valve for external admission pressure (functions: "Admission Pressure/ Vordruck", "Closed/Zu", "Vent/ Entlüften")
- ⑬ "Connection admission pressure/ Anschluss Vordruck"
- ⑭ "Ventilation admission pressure/ Entlüftung Vordruck"