

Comparison Pump

Pneumatic version on a base plate
Pressure range -1 / +60 bar

PH 60-P

Application

The comparison pump model PH 60-P is a pressure generator and used for comparative measurements. It is suitable for testing and adjusting pressure measuring devices of all kinds.

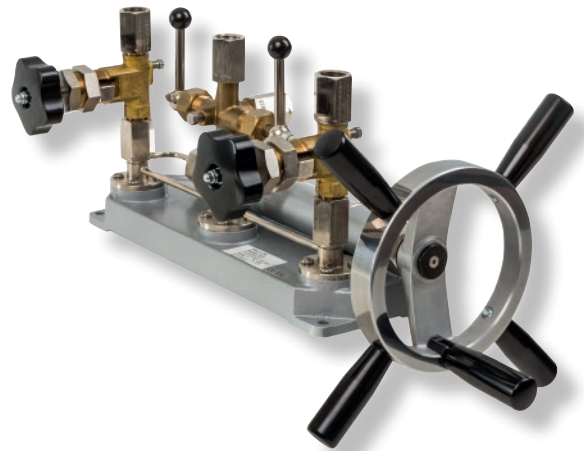
The model is applicable for pressure ranges from -1 to +60 bar. For testing, only gaseous, non-aggressive media shall be used.

Gauge pressure from -0.5 bar up to +4 bar can be generated with the installed spindle pump (ambient air). An external compressed air supply and vacuum generation (vacuum pump) is required for higher pressure and vacuum ranges respectively.

The test item is compared to a pressure measuring device with higher accuracy (e.g. Overview 2000 Test Gauges, Overview 10000 Calibration Technology).

Comparison pumps on a base plate are small, lightweight, handy and can be mounted easily on a workbench or applied mobile on site.

barotec[®]
KALIBRIERTECHNIK



Standard Version

Construction Type

Plate version

Medium

Dry, clean, non-corrosive gas

Pressure Ranges

p_{\min} (operating volume ≤ 0.1 litre)	-0.5 bar (without external vacuum supply)
p_{\max} (operating volume ≤ 0.1 litre)	4 bar (without external pressure supply)
Required admission pressure	-1 / +60 bar (for higher pressure ranges)

Connection

2 connections male G $\frac{1}{2}$ LH, each with 2 clamping sleeves on G $\frac{1}{2}$ right or M20x1.5 right, incl. double sealing

Connection for External Compressed Air Supply and Vacuum Pump

2 nipples and union nuts according to DIN 16 284 for connections 7 and 8

Base Plate

All parts mounted on aluminum, grey enamelled,
4 mounting orifices $\varnothing 8.5$ mm (0.33")

Piston and Spindle

Stainless steel

Cylinder

Brass, grey enamelled

Weight

Approx. 7 kg (15.43 lb)

Temperature Range

10 °C to 50 °C (50 °F to 122 °F)

Special Versions and Options

Special Version for Oxygen (O₂)

Wetted parts: free of grease and oil
Cylinder: blue enamelled

Connections

Stop valve 5 or 6 according to DIN 16 271 (with additional test connection for simultaneous testing of pressure gauge and pressure transmitter)

Scope of Delivery

The delivery includes – in addition to the comparison pump:

- 1 operating instruction
- 2 special gaskets for connections, with 2 encased O-rings (mounted)
- 4 O-rings as spare parts
- 2 clamping sleeves G $\frac{1}{2}$ (mounted)
- 2 clamping sleeves M20x1.5
- 2 nipples and union nuts according to DIN 16 284 for connections 7 and 8 (mounted)

Ordering Information

Please specify in your order:

Basic model PH 60-P
Options see above

Example: PH 60-P
PH 60-P-O₂

www.armano-messtechnik.com

ARMANO

ARMANO Messtechnik GmbH

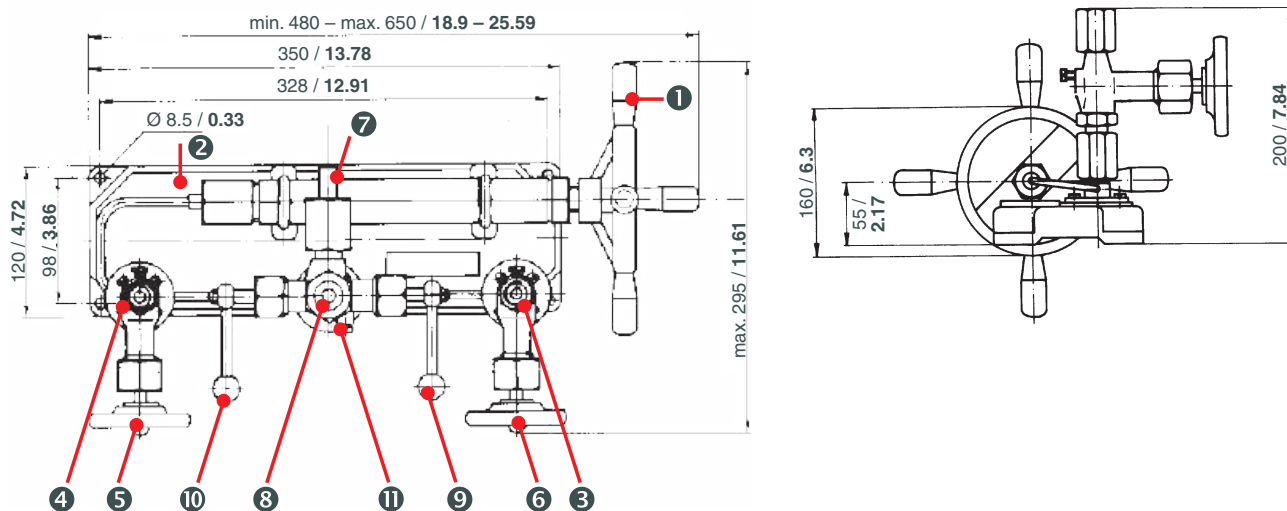
Location Beierfeld
Am Gewerbepark 9 • 08344 Grünhain-Beierfeld
Tel.: +49 3774 58 – 0 • Fax: +49 3774 58 – 545
mail@armano-beierfeld.com

Location Wesel
Manometerstraße 5 • 46487 Wesel-Ginderich
Tel.: +49 2803 9130 – 0 • Fax: +49 2803 1035
mail@armano-wesel.com

10151

02/19

Schematic Drawing and Dimensional Data (in mm/inches)



- ① Pump system (piston with spindle – turnable via handwheel – for pressure and vacuum generation and for fine adjustment, cylinder serving as pressure chamber)
- ② Base plate
- ③ Connection for test item
- ④ Connection for reference device
- ⑤ Stop valve with clamping sleeve for reference device
- ⑥ Stop valve with clamping sleeve for test item
- ⑦ External vacuum and pressure connection
- ⑧ System ventilation with connection options for a hose or a tube
- ⑪ Double stop valve
 - Valve ⑨ for connection ⑧
 - Valve ⑩ for connection ⑦