



Application

Testing of pressure gauges, measurement of pressures with high accuracy, e.g. in laboratories
Pressure ranges 0 – 2.5 MPa for gaseous media
Pressure ranges 0 – 4 MPa and above for liquid media

Nominal Case Sizes (NCS)

160 mm (6")

Accuracy

± 0.4% (indication accuracy ± 0.4% of full scale value)

Pressure Ranges

0 – 0.1 MPa up to 0 – 60 MPa
-0.1 / 0 MPa

Application Fields

At steady load: full scale value
At dynamic load: 0.9 x full scale value

Temperature Resistance

Ambient temperature: -25 to +60 °C (-13 °F to +140 °F)
Medium temperature: max. +60 °C (+140 °F)

Temperature Caused Error

The additional error per 10K deviation from the reference temperature +20 °C (+68 °F) is not more than 0.4% of the measuring span

Standard Version

Connection

Bottom
M20 x 1.5 optional G ½ B

Wetted Parts

Model -1: connection: brass
Bourdon tube: c-form
≤ 4 MPa = bronze
6 MPa = CuBe
helical form
≥ 10 MPa = 1.4571
(316 stainless steel)
60 MPa = NiFe alloy

Movement

Brass / German silver with eccentric adjustment through the dial

Dial

Aluminum, black figures, white background

Pointer

Anti-parallax pointer, aluminum black

Case

With bayonet ring, coated steel



Case Protection Type (EN 60529 / IEC 529)
IP 54

Window

Instrument glass with adjusting bore (closed by plug)

Ordering Information (Model Construction):

Please state in your order:

Basic model: MO 160

Nominal case size: 160

Accuracy: 0.4 %

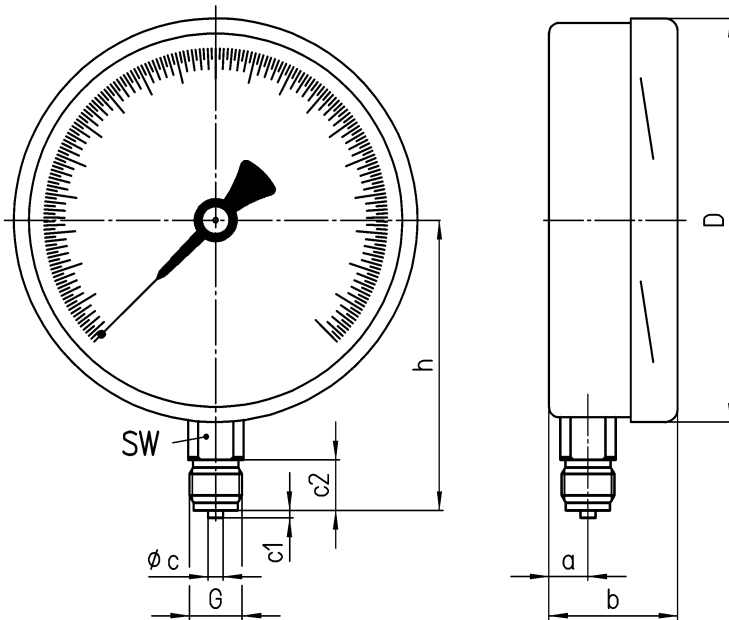
Pressure range: e.g. 0 – 1 MPa

Connection thread: M20x1.5





Case Configuration



Dimensional Data (mm / inches) and Weight (kg / lb)

NCS	D	a	b	c	c1	c2	G	h	SW	Weight
160 (6")	161 6.34	15.5 0.61	51 2.01	6 0.24	3 0.12	20 0.79	M20x1.5 G ½ B	115 4.53	22 0.87	1.1 2.43

