

# Diesel Exhaust Thermometer, Rigid Mount

TAS

Crimped-on ring case stainless steel

Diesel exhaust thermometers are primarily used for the measurement of exhaust and cooling water temperatures at diesel engines. They are specially designed for these high mechanical and technical loads, among others due to the "stem in jacket version" and the standard case filling with highly viscous silicone oil. To increase their durability, diesel exhaust thermometers should always be applied in combination with a thermowell.

## Standard Versions

This data sheet contains detailed information on our standard versions and available options. In overview 8000 you will find additional information on selection, metrological features, permissible ambient and storage temperatures as well as error limits, etc. Information on the metrologically optimal design of thermometers can be found in our technical information sheet T08-000-031.

### Measuring Unit

With nitrogen filling (inert gas, physiologically safe)

### Accuracy (DIN EN 13 190)

Class 1

### Case

With polished crimped-on ring, stainless steel 1.4301 (304)

### Degree of Protection (DIN EN 60 529/IEC 529)

IP 65

### Case Filling

Silicone oil

### Nominal Case Sizes

63, 80, 100 mm (2½, 3, 4")

### Case Configuration

Connection temperature sensor (stem):

- rigid mount with neck tube

Stem position:

- vertical bottom position

- centre back position (**rm**)

### Temperature Ranges

0 – 120 °C

50 – 650 °C

### Temperature Sensor (Stem)

Made of stainless steel 1.4571 (316Ti)

Max. static operating pressure: 25 bar

Stem models (jacket version): A5.5, A1.5 or A3.5

Stem Ø dF: 10, 12 or 13 mm

Stem length (standard): 150, 200, 250, 300 or 400 mm

Lmin = 150 mm

Compression fitting for stem model A5.5: galvanised steel

### Window

Instrument glass

### Movement

Brass/German silver

### Dial

Aluminum white, scale black



### Pointer

Aluminum black

### Indication Adjustment (±6 %)

Externally via screw

## Ordering Information, Standard Ranges, Options

See page 4

## Special Versions and Further Options

- Other stem lengths and connection threads upon request
- Version for particularly extreme loads
- Other temperature ranges and/or special scales, e.g. dual scale °C/°F, coloured fields or ranges, dial inscriptions
- Case parts stainless steel 1.4404 (316L) upon request
- Position of connection radial at 3 o'clock, 9 o'clock, 12 o'clock, others upon request or other than vertical installation (90°)
- GOST version for Russia, Ukraine, Kazakhstan

## Thermowells

See data sheets 8.8110 ff.



Sales and Export South, West, North

## ARMATURENBau GmbH

Manometerstraße 5 • D – 46487 Wesel-Ginderich  
Tel.: +49 2803 9130 – 0 • Fax: +49 2803 1035  
www.armaturenba.com • mail@armaturenba.com

Subsidiary Company, Sales and Export East

## MANOTHERM Beierfeld GmbH

Am Gewerbepark 9 • D – 08344 Grünhain-Beierfeld  
Tel.: +49 3774 58 – 0 • Fax: +49 3774 58 – 545  
www.manotherm.com • mail@manotherm.com

8291

03/17

# Stem Position, Code Letters, Dimensional Data and Weights

## Vertical Bottom Stem Position

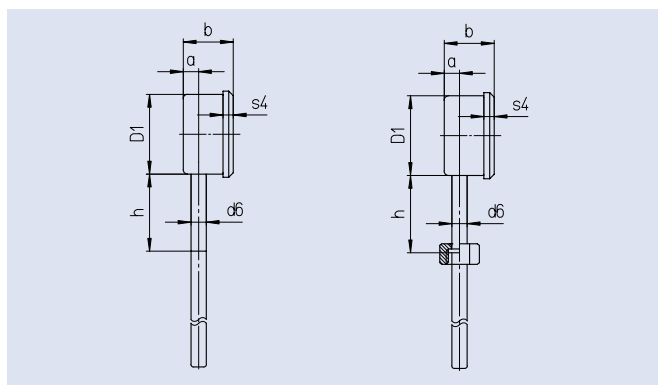
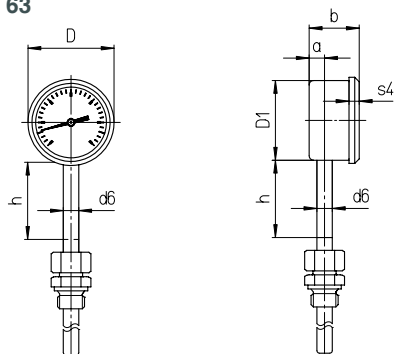
Stem model A5.5

Stem model A1.5

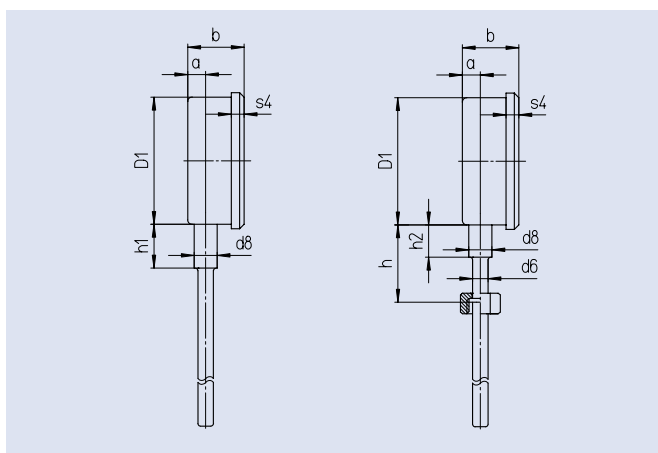
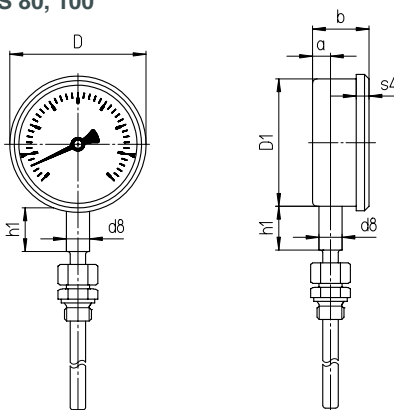
Stem model 3.5

without additional code letter

TAS 63



TAS 80, 100



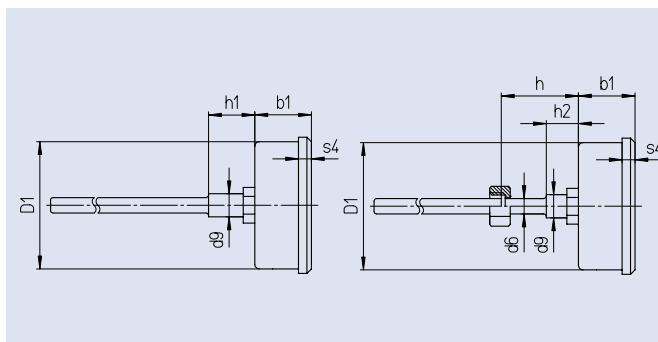
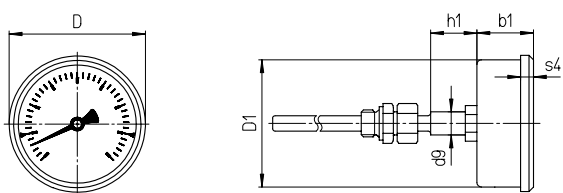
## Centre Back Stem Position

Stem model A5.5

Stem model A1.5

Stem model 3.5

code letters rm



## Dimensional Data (mm) and Weights (kg)

NCS	a	b	b1	D	D1	d6	d8	d9	h	h1	h2	s4	approx. weight <sup>1)</sup> TAS
63	12	39	39	67	62	12	18	18	60	34	25	8	0.33
80	15	42	42	86	79	12	18	18	60	34	25	8	0.5
100	15	43	43	106	99	12	18	18	60	34	25	10	0.7

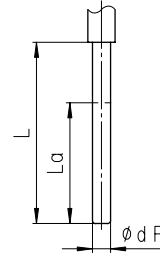
<sup>1)</sup> The data are examples and relate to the version with stem A1.5, Ø 10 mm, length 200 mm.

# Stem Models

## Stem Models

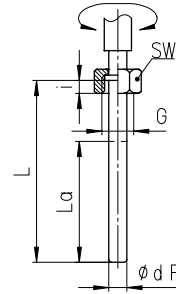
**Process connection:** Without screw fitting, plain stem

**Stem model:** A1.5  
**Form acc. to DIN EN 13 190:** Form 1  
**Stem material:** 1.4571  
**Stem Ø dF:** 10, 12, 13 mm  
**Order length L (standard length):** 150, 200, 250, 300, 350, 400 mm  
**Suitable thermowell models:** SK2 (8.8141)  
 (data sheet)



**Process connection:** Union nut

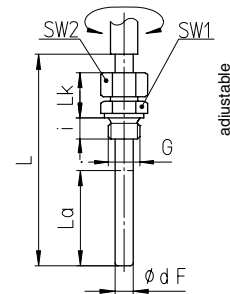
**Stem model:** A3.5  
**Form acc. to DIN EN 13 190:** Form 5  
**Stem material:** 1.4571  
**Stem Ø dF:** 10, 12, 13 mm  
**Screw fitting material:** 1.4571  
**Order length L (standard length):** 150, 200, 250, 300, 350, 400 mm  
**Suitable thermowell models:** SF4F (8.8112), SF4.1F (8.8113)  
 (data sheet) SF9 (8.8131)



Thread (dimensional data in mm):	G	SW	i
	G 1/2	27	10
	G 3/4	32	12
	M20x1.5	27	10
	M27x2	32	12

**Process connection:** Male thread/compression fitting

**Stem model:** A5.5  
**Form acc. to DIN EN 13 190:** Form 2  
**Stem material:** 1.4571  
**Stem Ø dF:** 10, 12, 13 mm  
**Screw fitting material:** galvanised steel  
**Order length L (standard length):** 150, 200, 250, 300, 350, 400 mm  
**Suitable thermowell models:** SF4 (8.8110), SF4F (8.8112)  
 (data sheet) SF6, SF7 (8.8121)



Thread (dimensional data in mm):	G	SW1	i	Lk
	G 1/2 B	27	14	35
	G 3/4 B	32	16	37
	M20x1.5	27	14	35
	M27x2	32	16	37

Stem Ø	SW2
10	19
12	22
13	24

## Minimum Stem Length and Active Length (mm)

Stem model:	Length:	
	La	Lmin
A1.5	80	150
A3.5	80	150
A5.5	80	150
others	upon request	

The minimum length Lmin/L1min is the smallest feasible stem length. Important: Please note the technical information sheet T08-000-031 on the metrologically optimal stem length.

The active length La is the temperature-sensitive part of the stem.

## Ordering Information with Temperature and Measuring Ranges, Options

Basic Model: Diesel Exhaust Thermometer with Rigid Mount		TAS
Case filling:	silicone oil	without code letters
Nominal case size:	case Ø 63, 80, 100 mm (2½, 3, 4")	<b>63, 80, 100</b>
Stem position/ case configuration:	vertical bottom position centre back position	without code letters <b>rm</b>
Temperature ranges:	0 – 120 °C 50 – 650 °C	<b>0–120 °C</b>
Stem in jacket version:	A1.5 A3.5 A5.5	<b>A1.5</b> <b>A3.5</b> <b>A5.5</b>
Stem Ø dF:	10, 12 or 13 mm	<b>dF 10, 12, 13</b>
Stem length:	L 150, 200, 250, 300, 350, 400 mm	e.g. <b>L = 150 mm</b>
Process connection:	see page 3	e.g. <b>G ½ B</b>
Options:	red mark on the dial plastic clip red or green, external at crimped-on ring for NCS 80, 100 window tempered safety glass for NCS 80 and 100 movement stainless steel case polished compression fitting stainless steel version: dial marking with symbol German Lloyd or Russian Sea Register copy of the certificate upon request <b>model TAS 63, 80, 100</b> measuring point stainless steel plate 12 x 55 mm (0.47 x 2.17") with wire mounting marking or sticker upon the case	<i>(order at the moment still as cleartext)</i>

Example:

TAS 80, 0–120 °C, A5.5, dF 12, L = 150 mm, G ½ B

**Special Versions:** Please describe your requirements in cleartext!