

# Capsule Gauge for Low Pressure

KPQS

Square case, steel galvanised

## Standard Versions

Information on general and metrological features (load limits / temperature limitations, among others) and standard pressure ranges / scale divisions can be found in model overview 6000.

### Accuracy (EN 837-3)

Class 1.6

### Case

Square case steel galvanised with narrow front rim black, clamp clip for panel mounting

### Case Protection Type (EN 60 529 / IEC 529)

IP 43 (in front of panel)

### Nominal Case Size

96 ( 96 x 96 mm) (3.78" x 3.78")

144 (144 x 144 mm) (5.67" x 5.67")

### Wetted Parts

Type – 1: Connection: brass  
Diaphragm capsule: CuBe-alloy  
O-ring sealing: NBR

Type – 3: Connection: stainless steel 316 SS  
Diaphragm capsule: stainless steel 316 SS  
O-ring sealing: FPM

### Case Configuration

Connection: screwed  
Position of the connection: centre back connection (rm)  
Mounting device: clamp clip for panel mounting

### Pressure Ranges (EN 837-3)

0 – 2.5 mbar (0 – 1.0 "WC) to 0 – 600 mbar (0 – 250 "WC)

### Process Connection

G ½ B (½" BSP)

### Window

Pressure ranges ≤ 16 mbar (6 "WC): instrument glass  
(punched for zero adjustment)

Pressure ranges ≥ 25 mbar (10 "WC): acrylic glass  
(punched for zero adjustment)

### Movement

Brass / German silver for type – 1  
Stainless steel for type – 3

### Dial

Aluminium, white, scaling black

### Pointer

Aluminium, black

### Zero Adjustment

Frontsided



## Ordering Information, Standard Pressure Ranges, Options

see pages 3 and 4

## Special Versions and further Options among others

- Other process connections upon request
- Other pressure ranges and / or special scales, e.g. dual scale mbar/kPa, coloured fields or ranges, dial inscriptions, negative scale etc.
- Wetted parts free of grease and oil for type – 3 upon request
- Oxygen version for type – 3 upon request
- Version for higher medium temperatures upon request
- Increased precision upon request
- GOST-version for Russia, Ukraine, Kazakhstan

## Accessory

see catalogue heading 11



Sales and Export South, West, North

**ARMATURENBAU GmbH**

Manometerstraße 5 • D-46487 Wesel-Ginderich  
Tel.: +49 (0) 28 03/91 30-0 • Fax: +49 (0) 28 03/ 10 35  
armaturenbau.com • mail@armaturenbau.com

Subsidiary Company, Sales and Export East

**MANOTHERM Beierfeld GmbH**

Am Gewerbepark 9 • D-08344 Grünhain-Beierfeld  
Tel.: +49 (0) 37 74/58-0 • Fax: +49 (0) 37 74/58-545  
manotherm.com • mail@manotherm.com

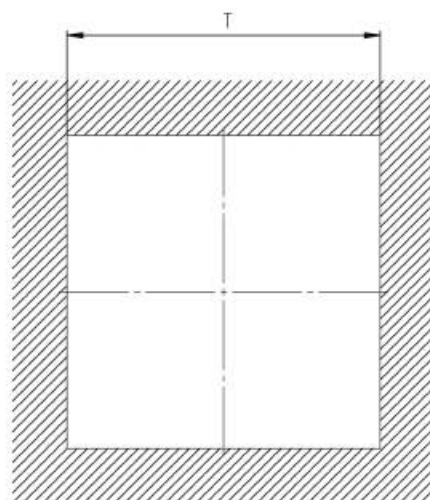
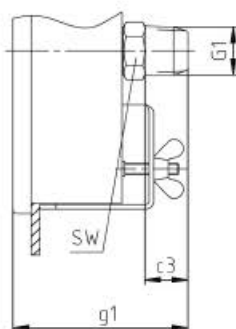
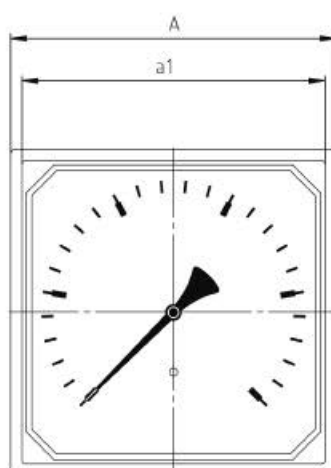
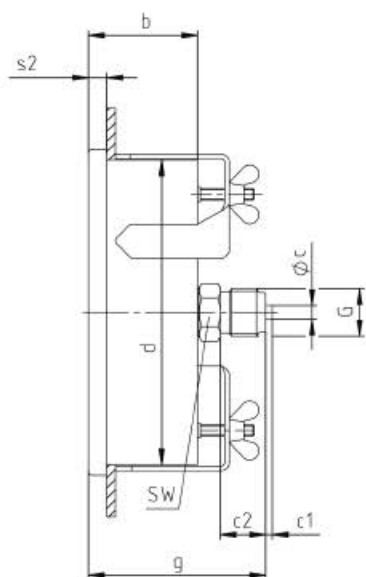
**6500**

04/14

# Case Configurations, Code Letters, Dimensional Data and Weights

## Centre back connection

code letters: rm



recommended panel cut out

### Dimensional Data (mm/ inches) and Weights (kg/ lb)

NCS (A)	a1	b	c	c1	c2	c3	d	G	G1	g	g1	s2+1	SW	T	approx. weight
96	88						90	G ½ B (½" BSP) M 20x1.5	½" NPT	78	74	8	22	92	0.65
3.78"	3.46	48	6	3	20	19	3.54							3.62	1.43
144	134	1.89	.24	.12	.79	.75	136							138	0.94
5.67"	5.28						5.35		3.07	2.91	.31	.87	5.43	2.07	



