

Bourdon Tube Pressure Gauges

Steel case, with snap-in window

RE 40 – 1

RE 50 – 1

Application

Bourdon tube pressure gauge models RE are suitable for the measurement of positive and negative overpressure of liquid or gaseous media that do not corrode brass/copper alloys.

Standard Versions

Information on general and metrological features (e.g. load limits/temperature resistance) and standard pressure ranges/scale divisions can be found in model overview 1000.

Accuracy (DIN EN 837-1)

Class 1.6

Class 2.5 for pressure range -1 / 0 bar, 0 – 1 bar, 0 – 600 bar

Case

Sheet steel black

Nominal Case Size

40, 50 mm (1½, 2")

Wetted Parts

Connection: brass
Bourdon tube: bronze, soft-soldered
≤ 60 bar c-form
≥ 100 bar helical form

Case Configuration

Connection: screwed
Position of the connection: - bottom connection
- centre back connection (rm)

Pressure Ranges (DIN EN 837-1)

NCS 40 0 – 1 bar to 0 – 400 bar

NCS 50 0 – 1 bar to 0 – 600 bar

also vacuum and compound measuring ranges

Process Connection

NCS 40 G ½ B (½" BSP)

NCS 50 G ¼ B (¼" BSP)

Window

Polycarbonate, snap-in

Movement

Brass

Dial

Aluminum white, scale black

Pointer

Aluminum black



Ordering Information, Standard Pressure Ranges, Options

See page 3

Special Versions and Further Options

For larger quantities upon request

Accessories

See catalogue heading 11



Sales and Export South, West, North

ARMATURENBAU GmbH

Manometerstraße 5 • D – 46487 Wesel-Ginderich
Tel.: +49 2803 9130 – 0 • Fax: +49 2803 1035
www.armaturenbau.com • mail@armaturenbau.com

Subsidiary Company, Sales and Export East

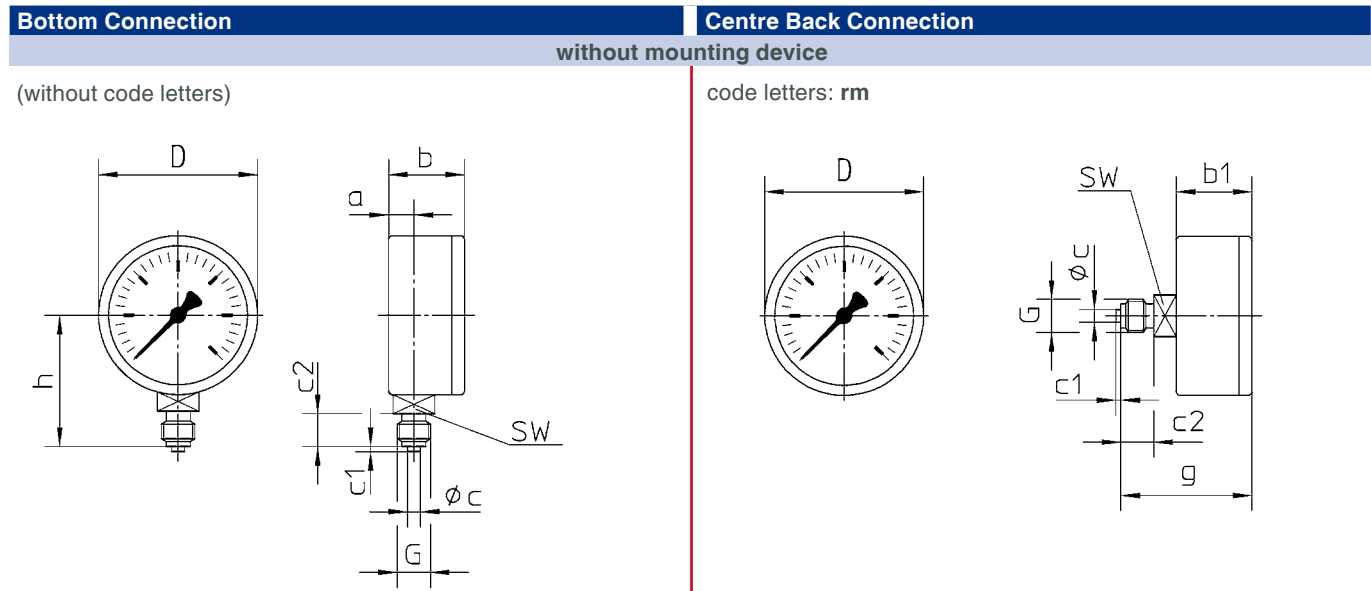
MANOTHERM Beierfeld GmbH

Am Gewerbepark 9 • D – 08344 Grünhain-Beierfeld
Tel.: +49 3774 58 – 0 • Fax: +49 3774 58 – 545
www.manotherm.com • mail@manotherm.com

1132

09/17

Case Configurations, Code Letters, Dimensional Data and Weight



Dimensional Data (mm/inch) and Weight (kg/lb)												
NCS	a ^{±0.5}	b ^{±1}	b1 ^{±0.5}	c	c1	c2	D	g ^{±0.5}	G	h ^{±1}	SW	approx. weight
40 1 1/2"	9.5 0.37	27 1.06		—	—	10 0.39	40 1.57	46 1.81	G 1/8" B ¹⁾ 1/8" BSP	36 1.42	14 0.55	0.13 0.29
50 2"	11.5 0.45	30 1.18		5 0.2	2 0.08	13 0.51	49 1.93	50 1.97	G 1/4" B 1/4" BSP	45 1.77		

¹⁾ without centre bolt

Ordering Information with Standard Pressure Ranges, Options

Basic Model:		Bourdon Tube Pressure Gauge	RE
Case filling:	without		without code letters
Nominal case size:	case Ø 40, 50 mm (1 1/2, 2")		40, 50
Wetted material:	copper alloy		- 1
Case configuration:	case/connection	screwed	without code letters
	position of the connection	bottom connection	without code letters
		centre back connection	rm
	mounting device	without	without code letters
Pressure ranges:	-1 / 0 bar		
	-1 / +0.6 bar		
	-1 / +1.5 bar		
	-1 / +3 bar		
	-1 / +5 bar		
	-1 / +9 bar		
	-1 / +15 bar		
	0 - 1 bar		
	0 - 1.6 bar		
	0 - 2.5 bar		
	0 - 4 bar		
	0 - 6 bar		e.g. 0 - 6 bar
	0 - 10 bar		
	0 - 16 bar		
	0 - 25 bar		
	0 - 40 bar		
	0 - 60 bar		
	0 - 100 bar		
	0 - 160 bar		
	0 - 250 bar		
	0 - 400 bar		
	0 - 600 bar for NCS 50		
Process connection:	standard thread	G 1/4 B (NCS 50) G 1/8 B (NCS 40)	G 1/4 B G 1/8 B

Example: RE 50 - 1 rm, 0 - 6 bar, G 1/4 B

© 2017 Armaturenbau GmbH and Manotherm Beierfeld GmbH - Technical changes, replacement of materials and printing errors excepted!